

## Pneumatic diaphragm valve MV305

# Compact type Light weight



The MV305 Compact Pneumatic Diaphragm Valve is an automated valve developed for replenishment and circulation control for chemical media and high frequency control applications. It has the advantages of small volume, light weight, small air consumption, accurate response time, etc., which meets the fluid control requirements of most precision wet equipment.

### Easy installation and maintenance

- \* Integrated compact design ensures installation in limited space
- \* All plastic appearance structure, no exposed metal parts and bolts, beautiful corrosion resistance
- \* Excellent lubrication performance, maintenance free
- \* G thread is made standard for easy connection installation and maintenance
- \* Integrated visual position feedback for easy observation
- \* Laser marking, clear identification guarantee after long-term use

### High safety performance

- \* The diaphragm adopts multiple sealing structure design to ensure safety
- \* A variety of materials available, can withstand high temperature and corrosion
- \* Curved diaphragm more malleable, high life
- \* With diaphragm rupture observation and diversion port
- \* High quality and reliability for a high number of operations

### High Flexibility

- \* Diaphragm material EPDM, FPM, PTFE, selected for water, acid and alkaline media
- \* Interface material PVC-U, PVC-C, PP-H, PVDF
- \* Standard metric, American standard, Japanese standard

### Performance characteristics

- \* Medium pressure 0... 5 bar
- \* Control pressure 4... 5 bar
- \* Temperature tolerance 5... 90°C
- \* Can be used in high-frequency occasions  $\leq 30$  times /Min

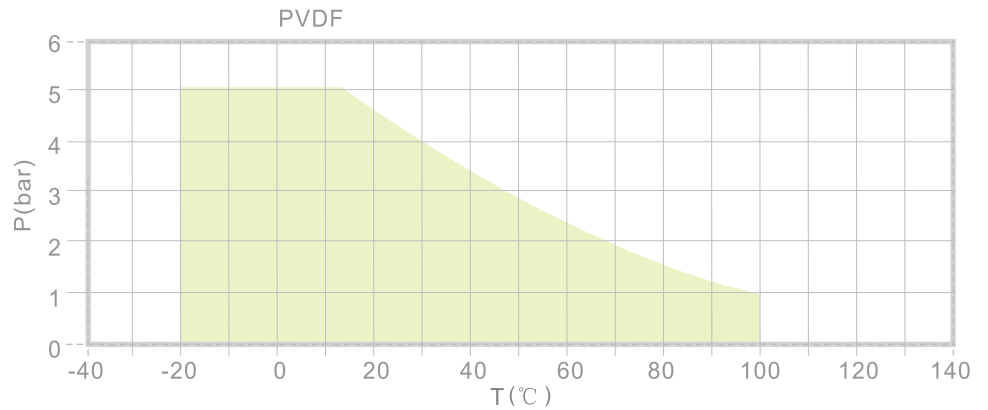
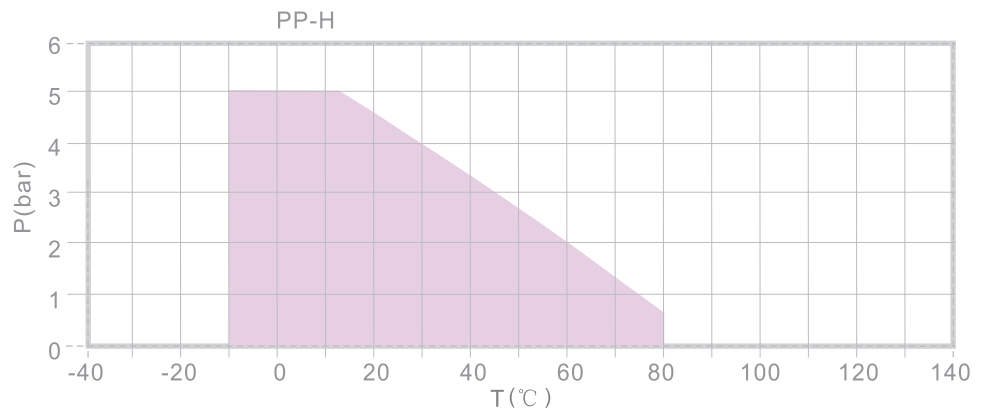
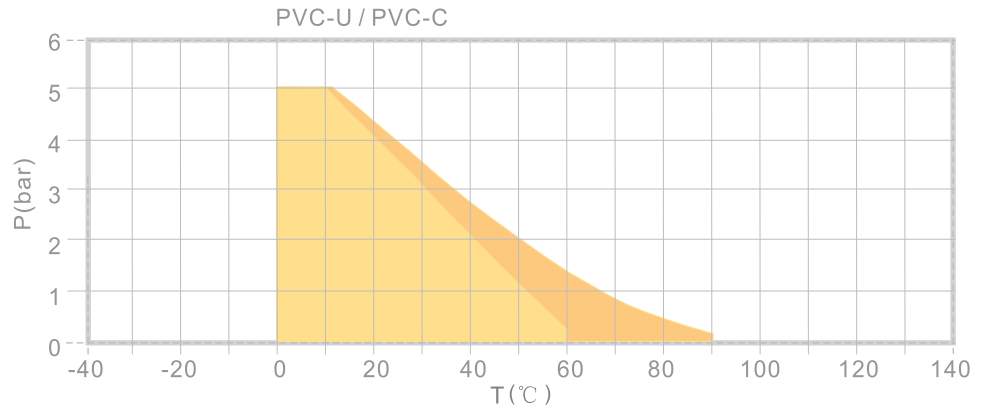


# + Technical characteristics

## Pressure temperature curve

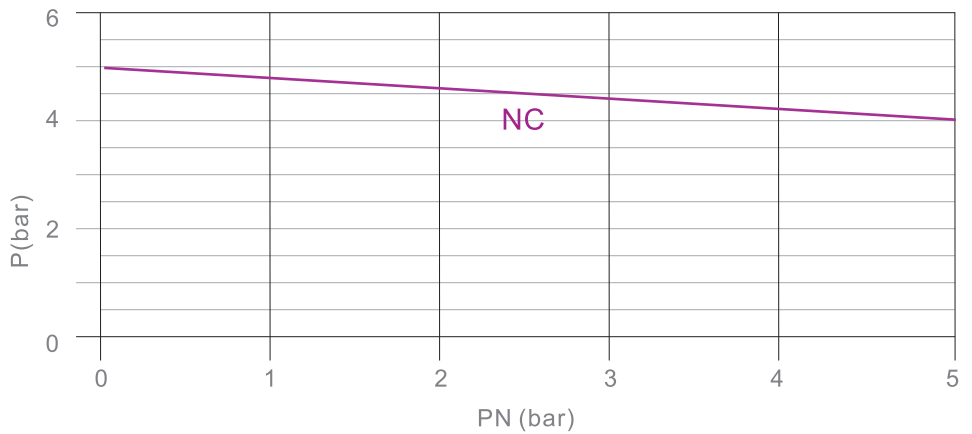
All data based on water for consider-ring 25 years safe life time

Other liquids request to reduce the temperature and pressure accordingly



## Control pressure

The maximum input value for pressurized air is 5 bar

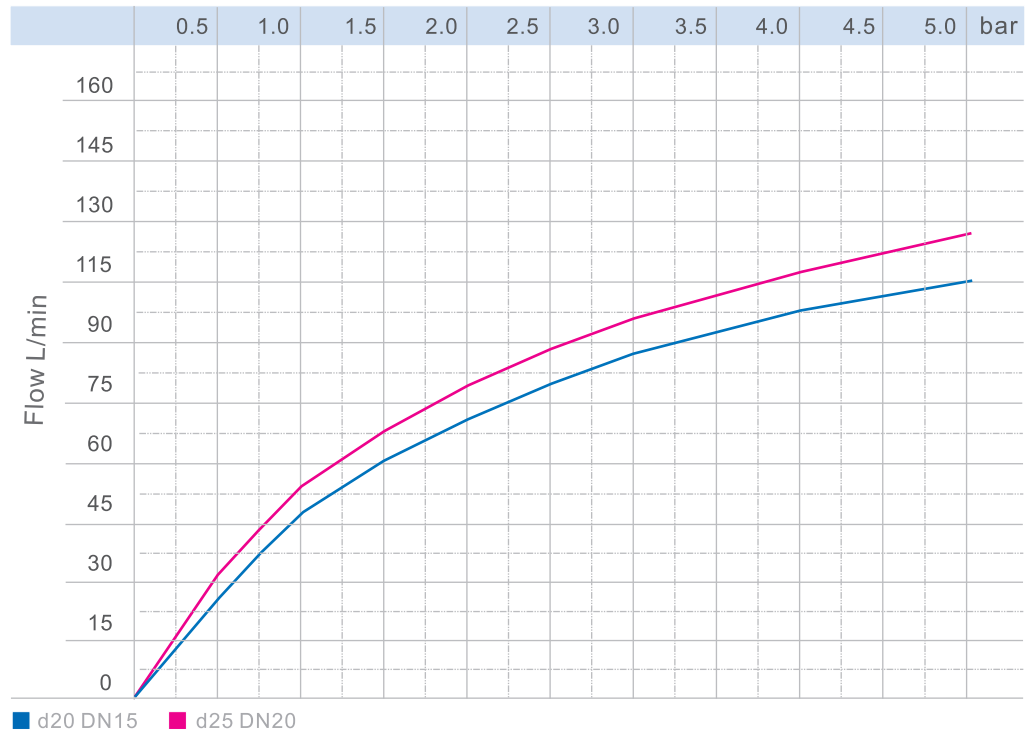


# + Technical characteristics

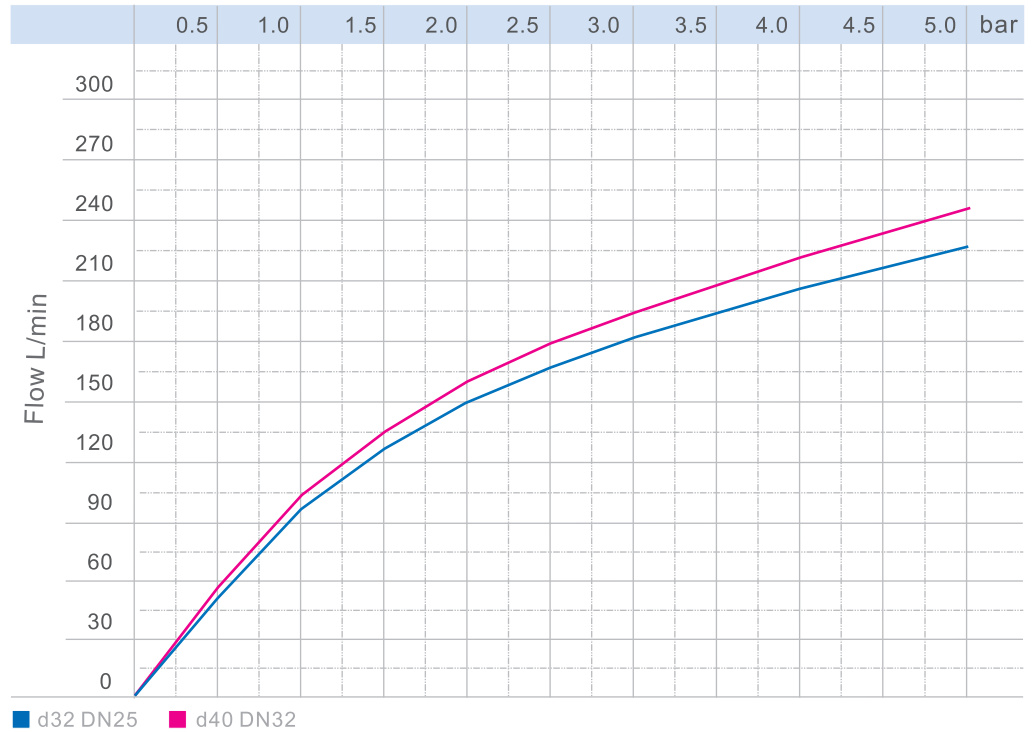
## Flow capacity

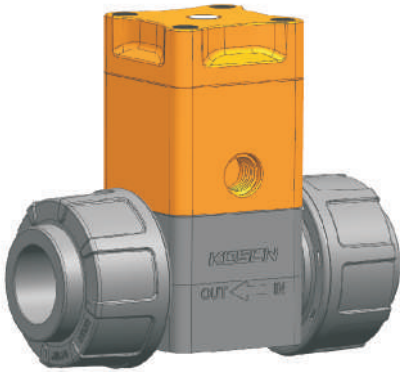
All data are for 20°C water with 1 bar pressure difference

DN 15-20



DN 25-32





PVC-U , Union Socket-end

<i>d</i> (mm)	<i>DN</i> (mm)	<i>PN</i> (bar)	<i>EPDM(per)</i>	<i>FPM(70)</i>	<i>PTFE</i>	<i>KG</i>
------------------	-------------------	--------------------	------------------	----------------	-------------	-----------

PP Body (Medium Grey) , UPVC end ; DIN

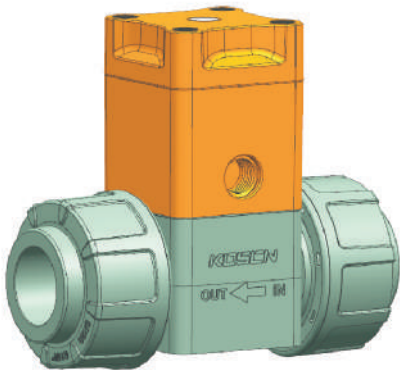
20	15	5	305.022.1020	305.042.1020	305.062.1020	
25	20	5	305.022.1025	305.042.1025	305.062.1025	
32	25	5	305.022.1032	305.042.1032	305.062.1032	
40	32	5	305.022.1040	305.042.1040	305.062.1040	
50	40	5				
63	50	5				

PP Body (Medium Grey) , UPVC end ; JIS

20	15	5	305.022.1220	305.042.1220	305.062.1020	
25	20	5	305.022.1225	305.042.1225	305.062.1025	
32	25	5	305.022.1232	305.042.1232	305.062.1032	
40	32	5	305.022.1240	305.042.1240	305.062.1040	
50	40	5				
63	50	5				

PP Body (Medium Grey) , UPVC end ; ANSI

20	15	5	305.022.1420	305.042.1420	305.062.1420	
25	20	5	305.022.1425	305.042.1425	305.062.1425	
32	25	5	305.022.1432	305.042.1432	305.062.1432	
40	32	5	305.022.1440	305.042.1440	305.062.1440	
50	40	5				
63	50	5				



PVC-C , Union Socket-end

<i>d</i> (mm)	<i>DN</i> (mm)	<i>PN</i> (bar)	<i>EPDM(per)</i>	<i>FPM(70)</i>	<i>PTFE</i>	<i>KG</i>
------------------	-------------------	--------------------	------------------	----------------	-------------	-----------

PP Body (Medium Grey) , CPVC end ; DIN

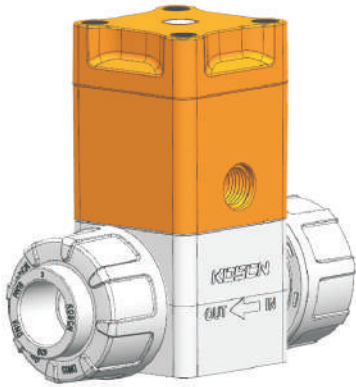
20	15	5	305.222.1020	305.242.1020	305.262.1020	
25	20	5	305.222.1025	305.242.1025	305.262.1025	
32	25	5	305.222.1032	305.242.1032	305.262.1032	
40	32	5	305.222.1040	305.242.1040	305.262.1040	
50	40	5				
63	50	5				

PP Body (Medium Grey) , CPVC end ; JIS

20	15	5	305.222.1220	305.242.1220	305.262.1020	
25	20	5	305.222.1225	305.242.1225	305.262.1025	
32	25	5	305.222.1232	305.242.1232	305.262.1032	
40	32	5	305.222.1240	305.242.1240	305.262.1040	
50	40	5				
63	50	5				

PP Body (Medium Grey) , CPVC end ; ANSI

20	15	5	305.222.1420	305.242.1420	305.262.1420	
25	20	5	305.222.1425	305.242.1425	305.262.1425	
32	25	5	305.222.1432	305.242.1432	305.262.1432	
40	32	5	305.222.1440	305.242.1440	305.262.1440	
50	40	5				
63	50	5				

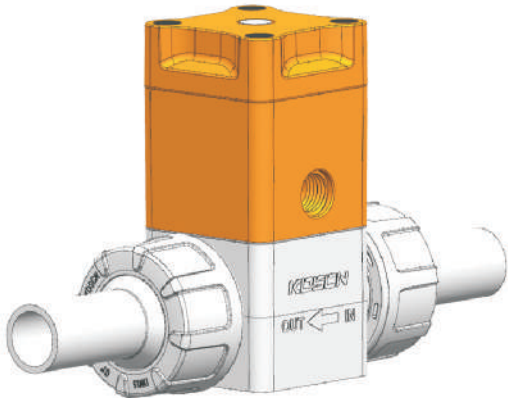


PP-H , Union Socket-end

<i>d</i> (mm)	<i>DN</i> (mm)	<i>PN</i> (bar)	<i>EPDM(per)</i>	<i>FPM(70)</i>	<i>PTFE</i>	<i>KG</i>
20	15	5	305.422.1020	305.442.1020	305.462.1020	
25	20	5	305.422.1025	305.442.1025	305.462.1025	
32	25	5	305.422.1032	305.442.1032	305.462.1032	
40	32	5	305.422.1040	305.442.1040	305.462.1040	
50	40	5				
63	50	5				

PP-H , Union Spigot Butt+IR

<i>d</i> (mm)	<i>DN</i> (mm)	<i>PN</i> (bar)	<i>EPDM(per)</i>	<i>FPM(70)</i>	<i>PTFE</i>	<i>KG</i>
20	15	5	305.422.3020	305.442.3020	305.462.3020	
25	20	5	305.422.3025	305.442.3025	305.462.3025	
32	25	5	305.422.3032	305.442.3032	305.462.3032	
40	32	5	305.422.3040	305.442.3040	305.462.3040	
50	40	5				
63	50	5				

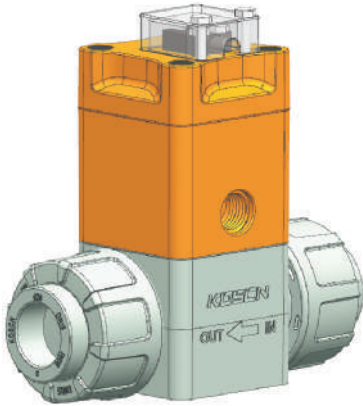


PVDF , Union Socket-end

<i>d</i> (mm)	<i>DN</i> (mm)	<i>PN</i> (bar)	<i>EPDM(per)</i>	<i>FPM(70)</i>	<i>PTFE</i>	<i>KG</i>
20	15	5	305.422.1020	305.442.1020	305.462.1020	
25	20	5	305.422.1025	305.442.1025	305.462.1025	
32	25	5	305.422.1032	305.442.1032	305.462.1032	
40	32	5	305.422.1040	305.442.1040	305.462.1040	
50	40	5				
63	50	5				

PVDF , Union Spigot Butt+IR

<i>d</i> (mm)	<i>DN</i> (mm)	<i>PN</i> (bar)	<i>EPDM(per)</i>	<i>FPM(70)</i>	<i>PTFE</i>	<i>KG</i>
20	15	5	305.622.3020	305.642.3020	305.662.3020	
25	20	5	305.622.3025	305.642.3025	305.662.3025	
32	25	5	305.622.3032	305.642.3032	305.662.3032	
40	32	5	305.622.3040	305.642.3040	305.662.3040	
50	40	5				
63	50	5				

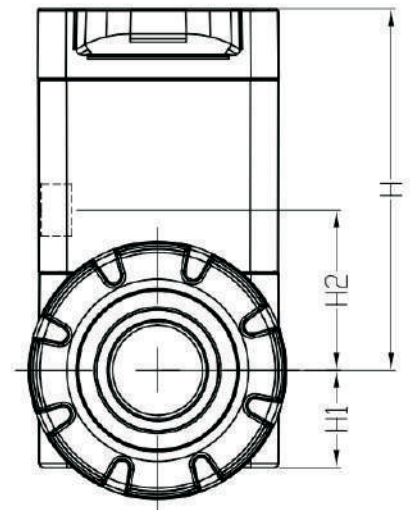
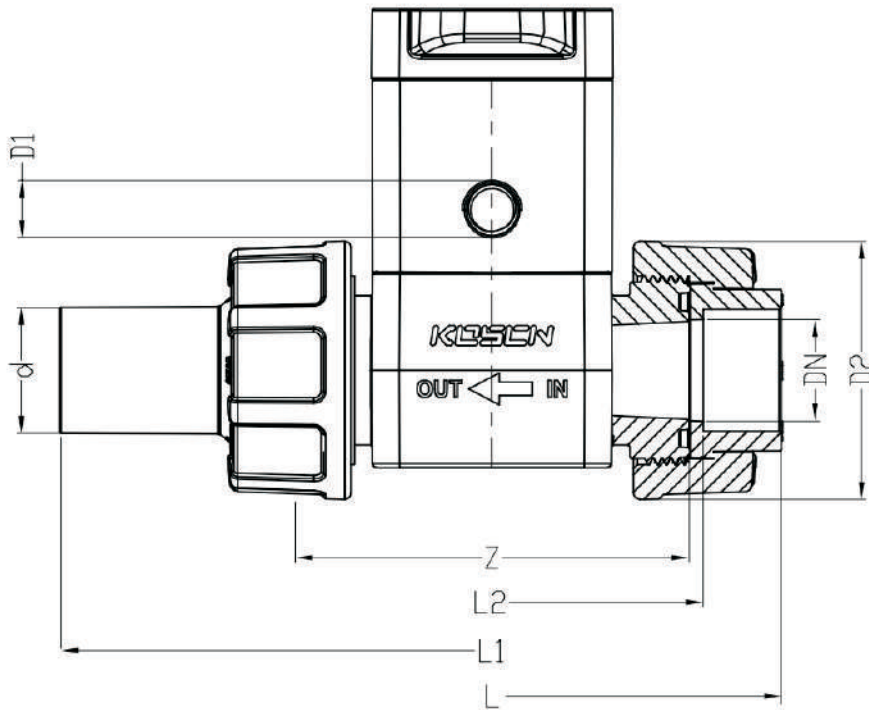
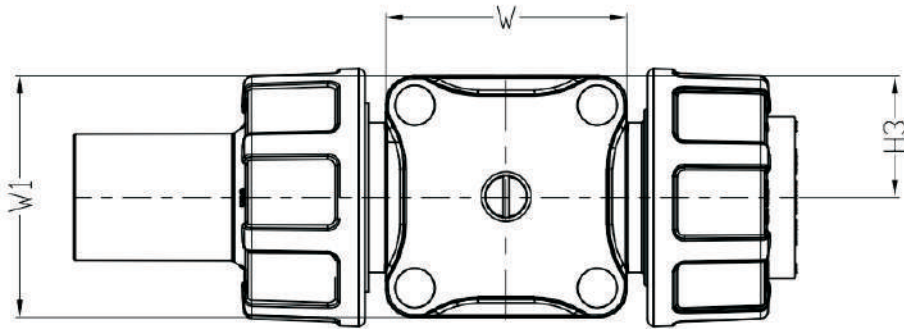


### Limit switch MA630

- Modular expansion, easy maintenance
- Equipped with a transparent protective cover, which can effectively protect the safety of the switch
- LED indicator to provide working status indication
- Imported photoelectric switch, long life, high reliability
- Cable output type, standard length 1m

Voltage	5V DC ... 24V DC $\pm$ 10%
Electric current	$\leq$ 15 mA
Output signal	PNP or NPN, Maximum output current 50 mA
Class of protection	IP64 (IEC)
Ambient temperature	-25°C ... +55°C (Be careful not to condense or freeze)
Ambient humidity	5% RH ... 85% RH
Cable parameter	0.09mm <sup>2</sup> 4 core, PVC rubber insulated cable

MV305 , PNEUMATIC , NC , SIZE



Unit: mm

d	DN	D1_G	D2	H	H1	H2	H3	L	L1	L2	Z	W	W1
20	15	1/4	43	80	22	33	24	120	191	87	81	48	48
25	20	1/4	51	80	22	33	24	123	191	88	82	48	48
32	25	1/4	58	92	25	41	31	147	221	106	100	61	61
40	32	1/4	72	92	25	41	31	153	233	112	106	61	61
50	40												
63	50												

## MV305 , PNEUMATIC , ORDERING GUIDE

MV305  
Pneumatic Diaphragm Valve

	□	□	□	□	□	□	□	□	□	□
<b>Product series</b>	3	0	5							
<b>Connection material</b>										
PVC-U				0						
PVC-C				2						
PPH				4						
PVDF				6						
<b>Diaphragm and O-ring</b>										
EPDM(PER)-EPDM				2						
FPM(70)-FPM				4						
PTFE-EPDM				5						
PTFE-FPM				6						
<b>Control mode</b>										
NC					2					
<b>Connection mode</b>										
Union: Socket-end						1				
Union: Spigot Bitt+IR						3				
<b>Connection standard</b>										
DIN							0			
JIS							2			
ANSI							4			
<b>Interface size</b>										
d16, DN10								16		
d20, DN15								20		
d25, DN20								25		
d32, DN25								32		
d40, DN32								40		
d50, DN40								50		
d63, DN50								63		
<b>Limit Switch</b>										
Photoelectric Switch - PNP										A0
Photoelectric Switch - NPN										A1
Mechanical Switch - PNP										A2
Mechanical Switch - NPN										A3



**contact**  
customer center  
[www.koscn.cn](http://www.koscn.cn)



**KOSCN**