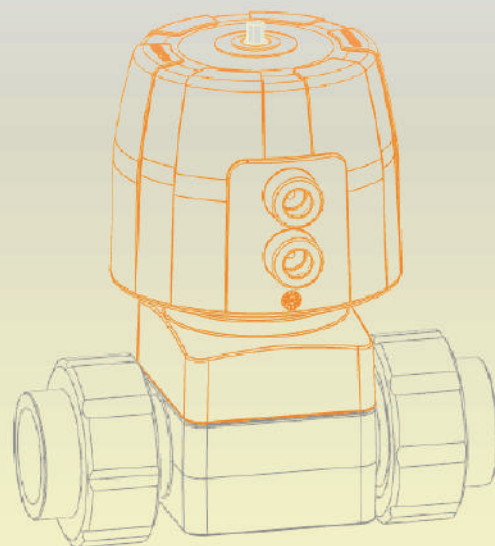


# MV 302

## Pneumatic diaphragm valve



MV302 is a type of compact and economic pneumatic diaphragm valve. The design of duckbill curved flow path ensures the best flow capacity, and the diaphragm linkage mechanism is more optimized. With the smaller size and 6bar pressure rating, this type of the valve is suitable for low-cost applications by most equipment suppliers.

### Easy installation and maintenance

- \* Easy to install with more snaps and threaded structures
- \* All-plastic appearance is beautiful and corrosion resistant
- \* Intake optimization design, small vibration
- \* Same sizes and installation length as international brands products
- \* Integrated visual position feedback and easy to observe
- \* Super lubricating property, maintenance-free
- \* The direction of air inlet is optional every 90° which is convenient for installation in tight space

### High safety performance

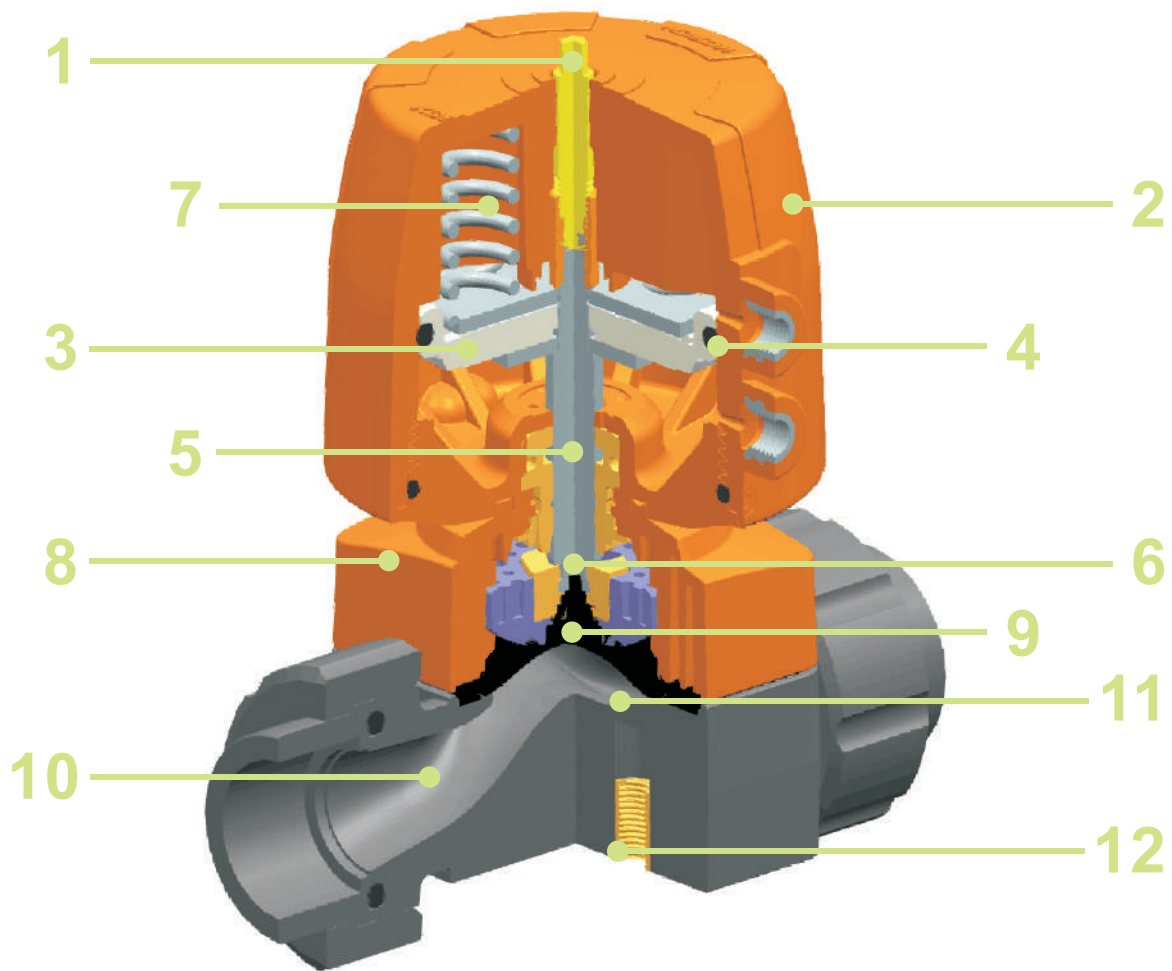
- \* Diaphragm connection of the suspension structure to fully protect the diaphragm
- \* Over pressure margin design of valve body and pneumatic actuator to ensure safety application
- \* The curved channel can ensure the effective closing of the valve in the application of high flow rate

### High Flexibility

- \* True union connection, Socket-end and Spigot Butt+IR
- \* DIN, JIS and ANSI standards are available
- \* Diaphragms are available for EPDM, FPM and EPDM-PTFE
- \* Bodies are available for PVC-U, PVC-C, PP-H, PP-Natural and PVDF
- \* Oil free valves are available for PP-H and PVDF valves

### The best flow performance

- \* Superior flow channel makes the linear characteristics of the fluid more precise and controllable
- \* The smooth and excessive curved channel has smaller pressure loss, and brings double flow capacity compared with the traditional diaphragm valve
- \* Suitable for liquids with small amounts of particles and solids



**1** Bright-colored position indicator for easy viewing

**2** Independent pneumatic actuator and compact design is suitable for corrosive applications

**3** High-strength glass fiber plastic piston, combined with stainless steel support plate to ensure no deformation

**4** Piston seal has self-lubricating function, With the cylinder wall at zero, Superior air tightness

**5** High strength stainless steel stem with unique material characters

**6** The coupling mechanism is independent suspension, the valve rod has no load on the diaphragm, and the structure is superior

**7** The actuator is equipped with 3-6 independent springs anti-corrosion treated which make the piston load more uniform

**8** The unique inner cavity of the valve seat cover ensures the perfect compression of the diaphragm without lateral expansion

**9** Molded diaphragms with embedded vulcanized fiber layer reinforcement have a longer service life

**10** Duckbill runners increase flow coefficient and reduce pressure loss. Flow efficiency significantly improved

**11** The smooth curve improves the linear curve and ensures the precise adjustment in the whole opening and closing stroke

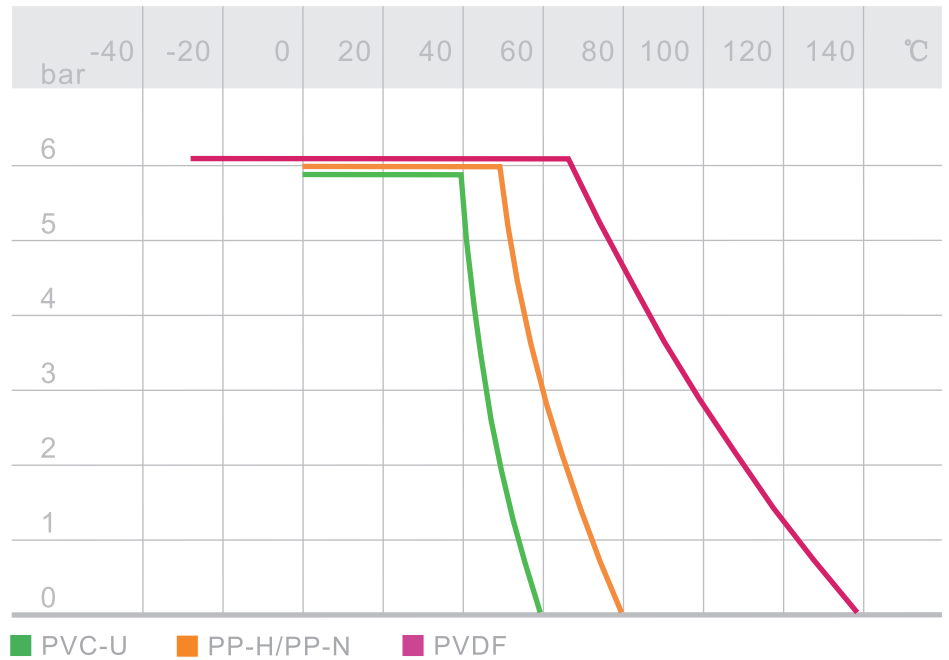
**12** The base has standard mounting bolts for independent fixing and support

# + Technical characteristics

## Pressure temperature curve

All data based on water for consider -ring 25 years safe life time

Other liquids request to reduce the temperature and pressure accordingly



## Flow capacity

All data are for 20°C water with 1 bar pressure difference

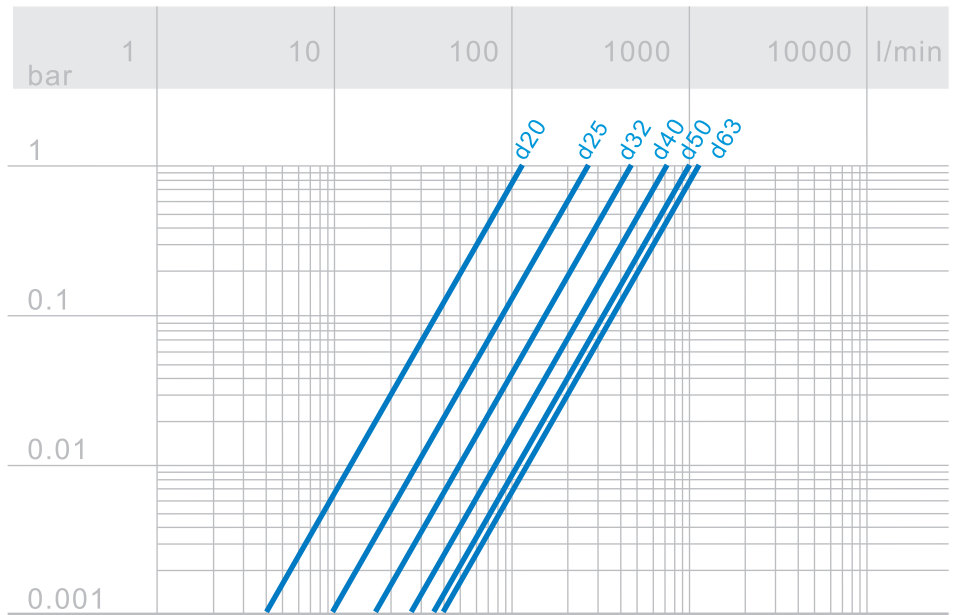
$$Cv = kv \times 0,07$$

$$Fv = kv \times 0,0585$$

$$Kv \text{ (l/min)}$$

$$Cv \text{ (gal/min) US}$$

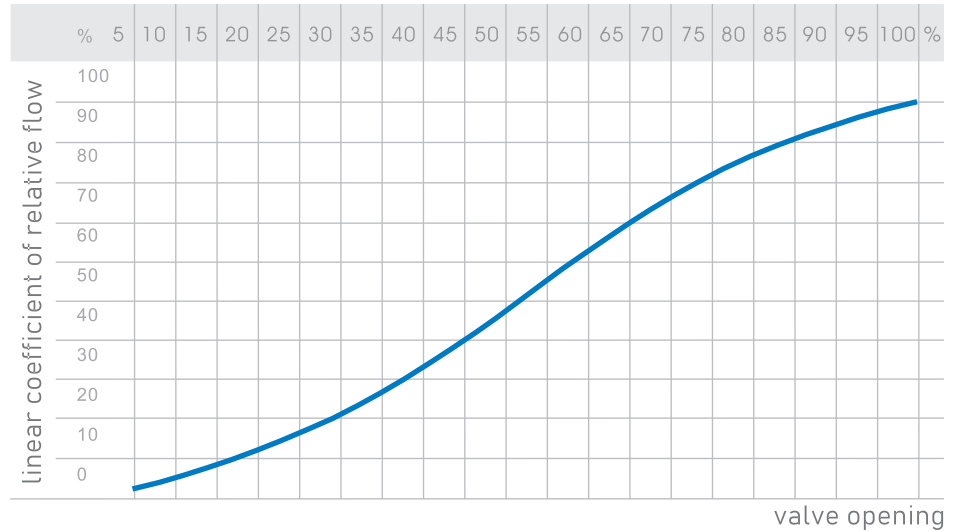
$$Fv \text{ (gal/min) GB}$$



| d             | 20  | 25  | 32  | 40  | 50   | 63   |
|---------------|-----|-----|-----|-----|------|------|
| Kv100 (l/min) | 125 | 266 | 527 | 743 | 1058 | 1172 |

## Line chart for relative flow rate

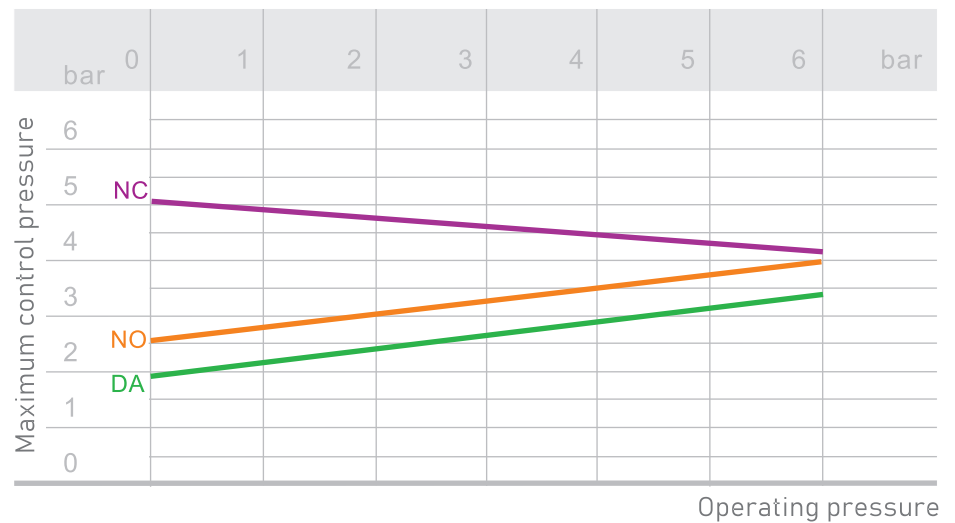
The linear coefficient of relative flow refers to the flow change as a function of valve opening stroke



## Operating pressure control pressure

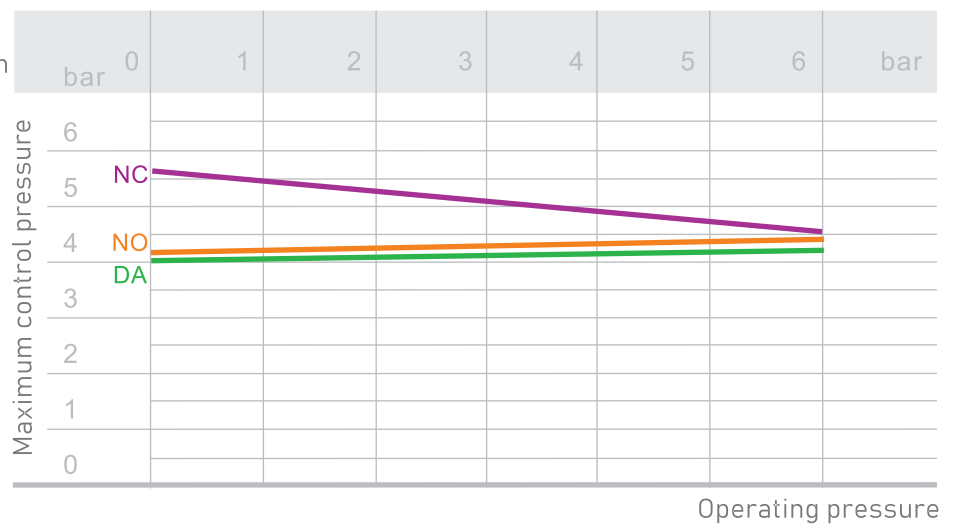
The maximum control pressure requested for EPDM and FPM diaphragm

The actual drive data for different dimensions please refer to the operation manual



The maximum control pressure requested for EPDM-PTFE diaphragm

The actual drive data for different dimensions please refer to the operation manual



## Actuator functional characteristics

| Control function | DA  | NC     | SR     |
|------------------|-----|--------|--------|
|                  | DA  | NC     | NO     |
| valves open      | Air | Air    | Spring |
| valve closed     | Air | Spring | Air    |

## Gas consumption for actuators

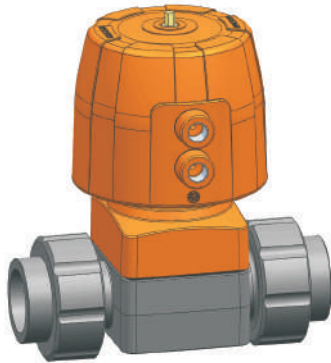
Under the required drive pressure, the compressed air required to fully open or close the valves

| d  | Dm <sup>3</sup> |      |      |      |      |      |
|----|-----------------|------|------|------|------|------|
|    | 20              | 25   | 32   | 40   | 50   | 63   |
| NC | 0,12            | 0,12 | 0,12 | 0,24 | 0,24 | 0,24 |
| NO | 0,20            | 0,20 | 0,20 | 0,44 | 0,44 | 0,44 |
| DA | Open            | 0,12 | 0,12 | 0,12 | 0,24 | 0,24 |
|    | Closed          | 0,20 | 0,20 | 0,20 | 0,44 | 0,44 |

## Connection of the drive air supply

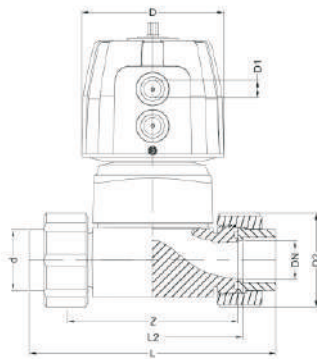
| Control function | DA | NC | NO |
|------------------|----|----|----|
| valves open      | B  | B  | -  |
| valve closed     | A  | -  | A  |





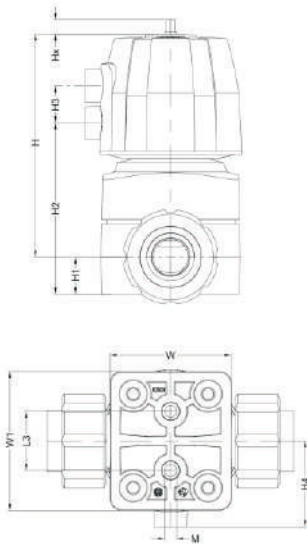
Control function NC  
PVC-U , Union Socket-end  
DIN

| <i>d</i><br>(mm) | <i>DN</i><br>(mm) | <i>PN</i><br>(bar) | <i>EPDM(per)</i> | <i>FPM(70)</i> | <i>EPDM-PTFE</i> | <i>KG</i> |
|------------------|-------------------|--------------------|------------------|----------------|------------------|-----------|
| 20               | 15                | 6                  | 302.022.1020     | 302.042.1020   | 302.062.1020     | 0,8       |
| 25               | 20                | 6                  | 302.022.1025     | 302.042.1025   | 302.062.1025     | 1,0       |
| 32               | 25                | 6                  | 302.022.1032     | 302.042.1032   | 302.062.1032     | 1,5       |
| 40               | 32                | 6                  | 302.022.1040     | 302.042.1040   | 302.062.1040     | 2,3       |
| 50               | 40                | 6                  | 302.022.1050     | 302.042.1050   |                  | 3,6       |
| 63               | 50                | 6                  | 302.022.1063     | 302.042.1063   |                  | 3,9       |



Control function NC  
PVC-U , Union Socket-end  
JIS

| <i>d</i><br>(mm) | <i>DN</i><br>(mm) | <i>PN</i><br>(bar) | <i>EPDM(per)</i> | <i>FPM(70)</i> | <i>EPDM-PTFE</i> | <i>KG</i> |
|------------------|-------------------|--------------------|------------------|----------------|------------------|-----------|
| 20               | 15                | 6                  | 302.022.1220     | 302.042.1220   | 302.062.1220     | 0,8       |
| 25               | 20                | 6                  | 302.022.1225     | 302.042.1225   | 302.062.1225     | 1,0       |
| 32               | 25                | 6                  | 302.022.1232     | 302.042.1232   | 302.062.1232     | 1,5       |
| 40               | 32                | 6                  | 302.022.1240     | 302.042.1240   | 302.062.1240     | 2,3       |
| 50               | 40                | 6                  | 302.022.1250     | 302.042.1250   |                  | 3,6       |
| 63               | 50                | 6                  | 302.022.1263     | 302.042.1263   |                  | 3,9       |

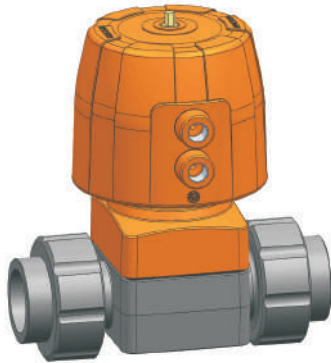


Control function NC  
PVC-U , Union Socket-end  
ANSI

| <i>d</i><br>(Inch) | <i>DN</i><br>(mm) | <i>PN</i><br>(bar) | <i>EPDM(per)</i> | <i>FPM(70)</i> | <i>EPDM-PTFE</i> | <i>KG</i> |
|--------------------|-------------------|--------------------|------------------|----------------|------------------|-----------|
| 1/2                | 15                | 6                  | 302.022.1420     | 302.042.1420   | 302.062.1420     | 0,8       |
| 3/4                | 20                | 6                  | 302.022.1425     | 302.042.1425   | 302.062.1425     | 1,0       |
| 1                  | 25                | 6                  | 302.022.1432     | 302.042.1432   | 302.062.1432     | 1,5       |
| 1-1/4              | 32                | 6                  | 302.022.1440     | 302.042.1440   | 302.062.1440     | 2,3       |
| 1-1/2              | 40                | 6                  | 302.022.1450     | 302.042.1450   |                  | 3,6       |
| 2                  | 50                | 6                  | 302.022.1463     | 302.042.1463   |                  | 3,9       |

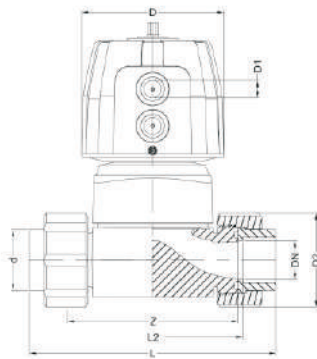
Unit: mm

| <i>d</i> | <i>DN</i> | <i>D</i> | <i>D1_G</i> | <i>D2</i> | <i>H</i> | <i>H1</i> | <i>H2</i> | <i>H3</i> | <i>H4</i> | <i>L</i> | <i>L3</i> | <i>M</i> | <i>Z</i> | <i>W</i> | <i>W1</i> | <i>Lift = Hx</i> |
|----------|-----------|----------|-------------|-----------|----------|-----------|-----------|-----------|-----------|----------|-----------|----------|----------|----------|-----------|------------------|
| 20       | 15        | 96       | 1/4         | 43        | 126      | 14        | 67        | 25        | 58        | 128      | 25        | 6        | 90       | 57       | 57        | 7                |
| 25       | 20        | 96       | 1/4         | 51        | 132      | 18        | 73        | 25        | 58        | 152      | 25        | 6        | 108      | 70       | 70        | 10               |
| 32       | 25        | 96       | 1/4         | 58        | 149      | 26        | 88        | 25        | 58        | 166      | 40        | 8        | 116      | 82       | 94        | 13               |
| 40       | 32        | 120      | 1/4         | 72        | 173      | 26        | 99        | 26        | 71        | 192      | 40        | 8        | 134      | 82       | 94        | 15               |
| 50       | 40        | 120      | 1/4         | 83        | 205      | 39        | 132       | 26        | 71        | 222      | 45        | 8        | 154      | 109      | 122       | 16               |
| 63       | 50        | 120      | 1/4         | 100       | 205      | 39        | 132       | 26        | 71        | 266      | 45        | 8        | 184      | 109      | 122       | 16               |



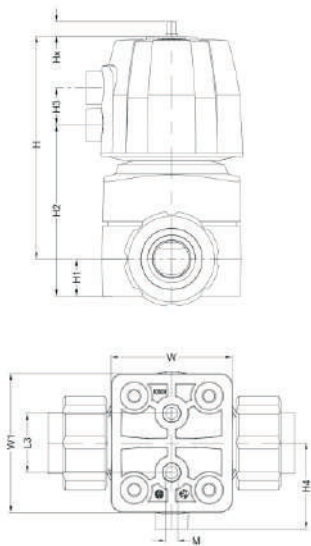
Control function NO  
PVC-U , Union Socket-end  
DIN

| <i>d</i><br>(mm) | <i>DN</i><br>(mm) | <i>PN</i><br>(bar) | <i>EPDM(per)</i> | <i>FPM(70)</i> | <i>EPDM-PTFE</i> | <i>KG</i> |
|------------------|-------------------|--------------------|------------------|----------------|------------------|-----------|
| 20               | 15                | 6                  | 302.024.1020     | 302.044.1020   | 302.064.1020     | 0,8       |
| 25               | 20                | 6                  | 302.024.1025     | 302.044.1025   | 302.064.1025     | 1,0       |
| 32               | 25                | 6                  | 302.024.1032     | 302.044.1032   | 302.064.1032     | 1,5       |
| 40               | 32                | 6                  | 302.024.1040     | 302.044.1040   | 302.064.1040     | 2,2       |
| 50               | 40                | 6                  | 302.024.1050     | 302.044.1050   |                  | 3,3       |
| 63               | 50                | 6                  | 302.024.1063     | 302.044.1063   |                  | 3,7       |



Control function NO  
PVC-U , Union Socket-end  
JIS

| <i>d</i><br>(mm) | <i>DN</i><br>(mm) | <i>PN</i><br>(bar) | <i>EPDM(per)</i> | <i>FPM(70)</i> | <i>EPDM-PTFE</i> | <i>KG</i> |
|------------------|-------------------|--------------------|------------------|----------------|------------------|-----------|
| 20               | 15                | 6                  | 302.024.1220     | 302.044.1220   | 302.064.1220     | 0,8       |
| 25               | 20                | 6                  | 302.024.1225     | 302.044.1225   | 302.064.1225     | 1,0       |
| 32               | 25                | 6                  | 302.024.1232     | 302.044.1232   | 302.064.1232     | 1,5       |
| 40               | 32                | 6                  | 302.024.1240     | 302.044.1240   | 302.064.1240     | 2,2       |
| 50               | 40                | 6                  | 302.024.1250     | 302.044.1250   |                  | 3,3       |
| 63               | 50                | 6                  | 302.024.1263     | 302.044.1263   |                  | 3,7       |

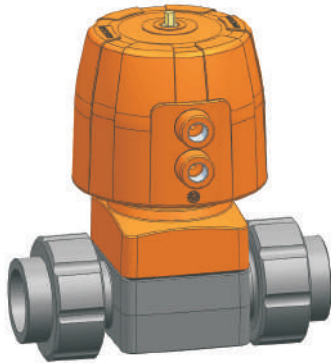


Control function NO  
PVC-U , Union Socket-end  
ANSI

| <i>d</i><br>(Inch) | <i>DN</i><br>(mm) | <i>PN</i><br>(bar) | <i>EPDM(per)</i> | <i>FPM(70)</i> | <i>EPDM-PTFE</i> | <i>KG</i> |
|--------------------|-------------------|--------------------|------------------|----------------|------------------|-----------|
| 1/2                | 15                | 6                  | 302.024.1420     | 302.044.1420   | 302.064.1420     | 0,8       |
| 3/4                | 20                | 6                  | 302.024.1425     | 302.044.1425   | 302.064.1425     | 1,0       |
| 1                  | 25                | 6                  | 302.024.1432     | 302.044.1432   | 302.064.1432     | 1,5       |
| 1-1/4              | 32                | 6                  | 302.024.1440     | 302.044.1440   | 302.064.1440     | 2,2       |
| 1-1/2              | 40                | 6                  | 302.024.1450     | 302.044.1450   |                  | 3,3       |
| 2                  | 50                | 6                  | 302.024.1463     | 302.044.1463   |                  | 3,7       |

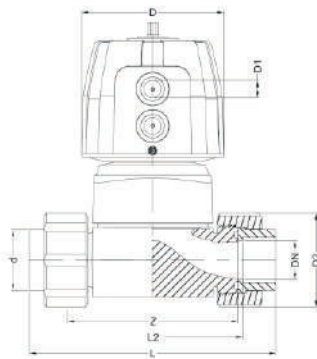
Unit: mm

| <i>d</i> | <i>DN</i> | <i>D</i> | <i>D1_G</i> | <i>D2</i> | <i>H</i> | <i>H1</i> | <i>H2</i> | <i>H3</i> | <i>H4</i> | <i>L</i> | <i>L3</i> | <i>M</i> | <i>Z</i> | <i>W</i> | <i>W1</i> | <i>Lift = Hx</i> |
|----------|-----------|----------|-------------|-----------|----------|-----------|-----------|-----------|-----------|----------|-----------|----------|----------|----------|-----------|------------------|
| 20       | 15        | 96       | 1/4         | 43        | 126      | 14        | 67        | 25        | 58        | 128      | 25        | 6        | 90       | 57       | 57        | 7                |
| 25       | 20        | 96       | 1/4         | 51        | 132      | 18        | 73        | 25        | 58        | 152      | 25        | 6        | 108      | 70       | 70        | 10               |
| 32       | 25        | 96       | 1/4         | 58        | 149      | 26        | 88        | 25        | 58        | 166      | 40        | 8        | 116      | 82       | 94        | 13               |
| 40       | 32        | 120      | 1/4         | 72        | 173      | 26        | 99        | 26        | 71        | 192      | 40        | 8        | 134      | 82       | 94        | 15               |
| 50       | 40        | 120      | 1/4         | 83        | 205      | 39        | 132       | 26        | 71        | 222      | 45        | 8        | 154      | 109      | 122       | 16               |
| 63       | 50        | 120      | 1/4         | 100       | 205      | 39        | 132       | 26        | 71        | 266      | 45        | 8        | 184      | 109      | 122       | 16               |



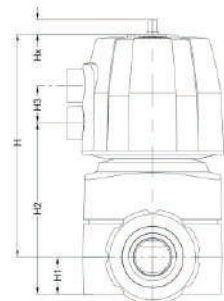
Control function DA  
PVC-U , Union Socket-end  
DIN

| <i>d</i><br>(mm) | <i>DN</i><br>(mm) | <i>PN</i><br>(bar) | <i>EPDM(per)</i> | <i>FPM(70)</i> | <i>EPDM-PTFE</i> | <i>KG</i> |
|------------------|-------------------|--------------------|------------------|----------------|------------------|-----------|
| 20               | 15                | 6                  | 302.026.1020     | 302.046.1020   | 302.066.1020     | 0,7       |
| 25               | 20                | 6                  | 302.026.1025     | 302.046.1025   | 302.066.1025     | 0,9       |
| 32               | 25                | 6                  | 302.026.1032     | 302.046.1032   | 302.066.1032     | 1,4       |
| 40               | 32                | 6                  | 302.026.1040     | 302.046.1040   | 302.066.1040     | 2,0       |
| 50               | 40                | 6                  | 302.026.1050     | 302.046.1050   |                  | 3,2       |
| 63               | 50                | 6                  | 302.026.1063     | 302.046.1063   |                  | 3,5       |



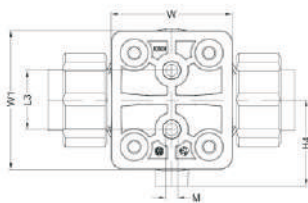
Control function DA  
PVC-U , Union Socket-end  
JIS

| <i>d</i><br>(mm) | <i>DN</i><br>(mm) | <i>PN</i><br>(bar) | <i>EPDM(per)</i> | <i>FPM(70)</i> | <i>EPDM-PTFE</i> | <i>KG</i> |
|------------------|-------------------|--------------------|------------------|----------------|------------------|-----------|
| 20               | 15                | 6                  | 302.026.1220     | 302.046.1220   | 302.066.1220     | 0,7       |
| 25               | 20                | 6                  | 302.026.1225     | 302.046.1225   | 302.066.1225     | 0,9       |
| 32               | 25                | 6                  | 302.026.1232     | 302.046.1232   | 302.066.1232     | 1,4       |
| 40               | 32                | 6                  | 302.026.1240     | 302.046.1240   | 302.066.1240     | 2,0       |
| 50               | 40                | 6                  | 302.026.1250     | 302.046.1250   |                  | 3,2       |
| 63               | 50                | 6                  | 302.026.1263     | 302.046.1263   |                  | 3,5       |



Control function DA  
PVC-U , Union Socket-end  
ANSI

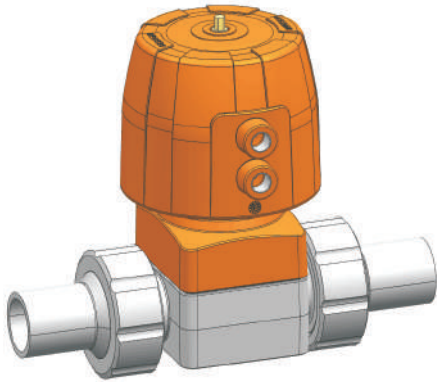
| <i>d</i><br>(Inch) | <i>DN</i><br>(mm) | <i>PN</i><br>(bar) | <i>EPDM(per)</i> | <i>FPM(70)</i> | <i>EPDM-PTFE</i> | <i>KG</i> |
|--------------------|-------------------|--------------------|------------------|----------------|------------------|-----------|
| 1/2                | 15                | 6                  | 302.026.1420     | 302.046.1420   | 302.066.1420     | 0,7       |
| 3/4                | 20                | 6                  | 302.026.1425     | 302.046.1425   | 302.066.1425     | 0,9       |
| 1                  | 25                | 6                  | 302.026.1432     | 302.046.1432   | 302.066.1432     | 1,4       |
| 1-1/4              | 32                | 6                  | 302.026.1440     | 302.046.1440   | 302.066.1440     | 2,0       |
| 1-1/2              | 40                | 6                  | 302.026.1450     | 302.046.1450   |                  | 3,2       |
| 2                  | 50                | 6                  | 302.026.1463     | 302.046.1463   |                  | 3,5       |



Unit: mm

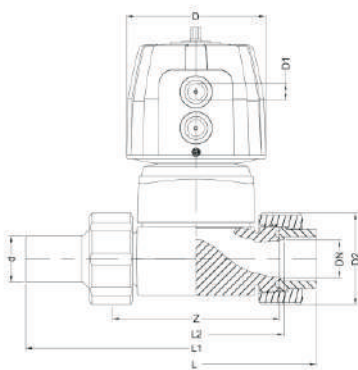
| <i>d</i> | <i>DN</i> | <i>D</i> | <i>D1_G</i> | <i>D2</i> | <i>H</i> | <i>H1</i> | <i>H2</i> | <i>H3</i> | <i>H4</i> | <i>L</i> | <i>L3</i> | <i>M</i> | <i>Z</i> | <i>W</i> | <i>W1</i> | <i>Lift = Hx</i> |
|----------|-----------|----------|-------------|-----------|----------|-----------|-----------|-----------|-----------|----------|-----------|----------|----------|----------|-----------|------------------|
| 20       | 15        | 96       | 1/4         | 43        | 126      | 14        | 67        | 25        | 58        | 128      | 25        | 6        | 90       | 57       | 57        | 7                |
| 25       | 20        | 96       | 1/4         | 51        | 132      | 18        | 73        | 25        | 58        | 152      | 25        | 6        | 108      | 70       | 70        | 10               |
| 32       | 25        | 96       | 1/4         | 58        | 149      | 26        | 88        | 25        | 58        | 166      | 40        | 8        | 116      | 82       | 94        | 13               |
| 40       | 32        | 120      | 1/4         | 72        | 173      | 26        | 99        | 26        | 71        | 192      | 40        | 8        | 134      | 82       | 94        | 15               |
| 50       | 40        | 120      | 1/4         | 83        | 205      | 39        | 132       | 26        | 71        | 222      | 45        | 8        | 154      | 109      | 122       | 16               |
| 63       | 50        | 120      | 1/4         | 100       | 205      | 39        | 132       | 26        | 71        | 266      | 45        | 8        | 184      | 109      | 122       | 16               |





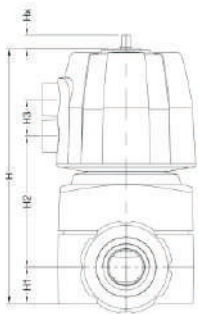
Control function NC  
PP-H , Union Socket-end  
DIN

| <i>d</i><br>(mm) | <i>DN</i><br>(mm) | <i>PN</i><br>(bar) | <i>EPDM(per)</i> | <i>FPM(70)</i> | <i>EPDM-PTFE</i> | <i>KG</i> |
|------------------|-------------------|--------------------|------------------|----------------|------------------|-----------|
| 20               | 15                | 6                  | 302.422.1020     | 302.442.1020   | 302.462.1020     | 0,8       |
| 25               | 20                | 6                  | 302.422.1025     | 302.442.1025   | 302.462.1025     | 1,0       |
| 32               | 25                | 6                  | 302.422.1032     | 302.442.1032   | 302.462.1032     | 1,4       |
| 40               | 32                | 6                  | 302.422.1040     | 302.442.1040   | 302.462.1040     | 2,2       |
| 50               | 40                | 6                  | 302.422.1050     | 302.442.1050   |                  | 3,3       |
| 63               | 50                | 6                  | 302.422.1063     | 302.442.1063   |                  | 3,6       |



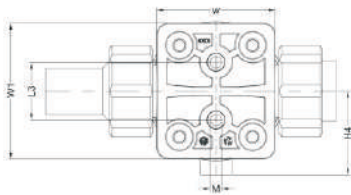
Control function NC  
PP-H , Union Spigot Butt+IR  
DIN

| <i>d</i><br>(mm) | <i>DN</i><br>(mm) | <i>PN</i><br>(bar) | <i>EPDM(per)</i> | <i>FPM(70)</i> | <i>EPDM-PTFE</i> | <i>KG</i> |
|------------------|-------------------|--------------------|------------------|----------------|------------------|-----------|
| 20               | 15                | 6                  | 302.422.3020     | 302.442.3020   | 302.462.3020     | 0,8       |
| 25               | 20                | 6                  | 302.422.3025     | 302.442.3025   | 302.462.3025     | 1,0       |
| 32               | 25                | 6                  | 302.422.3032     | 302.442.3032   | 302.462.3032     | 1,4       |
| 40               | 32                | 6                  | 302.422.3040     | 302.442.3040   | 302.462.3040     | 2,2       |
| 50               | 40                | 6                  | 302.422.3050     | 302.442.3050   |                  | 3,3       |
| 63               | 50                | 6                  | 302.422.3063     | 302.442.3063   |                  | 3,6       |



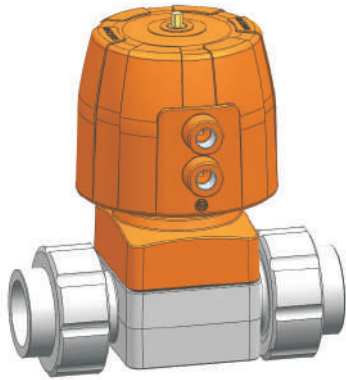
Control function NC  
PP-H , Union Spigot Butt+IR , Oil-free  
DIN

| <i>d</i><br>(mm) | <i>DN</i><br>(mm) | <i>PN</i><br>(bar) | <i>EPDM-PTFE</i> | <i>KG</i> |
|------------------|-------------------|--------------------|------------------|-----------|
| 20               | 15                | 6                  | 302.462.3020.N   | 0,8       |
| 25               | 20                | 6                  | 302.462.3025.N   | 1,0       |
| 32               | 25                | 6                  | 302.462.3032.N   | 1,4       |
| 40               | 32                | 6                  | 302.462.3040.N   | 2,2       |
| 50               | 40                | 6                  |                  |           |
| 63               | 50                | 6                  |                  |           |



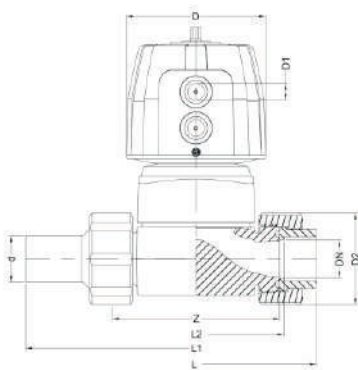
Unit: mm

| <i>d</i> | <i>DN</i> | <i>D</i> | <i>D1_G</i> | <i>D2</i> | <i>H</i> | <i>H1</i> | <i>H2</i> | <i>H3</i> | <i>H4</i> | <i>L</i> | <i>L1</i> | <i>L3</i> | <i>M</i> | <i>Z</i> | <i>W</i> | <i>W1</i> | <i>Lift = Hx</i> |
|----------|-----------|----------|-------------|-----------|----------|-----------|-----------|-----------|-----------|----------|-----------|-----------|----------|----------|----------|-----------|------------------|
| 20       | 15        | 96       | 1/4         | 43        | 126      | 14        | 67        | 25        | 58        | 128      | 196       | 25        | 6        | 90       | 57       | 57        | 7                |
| 25       | 20        | 96       | 1/4         | 51        | 132      | 18        | 73        | 25        | 58        | 152      | 221       | 25        | 6        | 108      | 70       | 70        | 10               |
| 32       | 25        | 96       | 1/4         | 58        | 149      | 26        | 88        | 25        | 58        | 166      | 234       | 40        | 8        | 116      | 82       | 94        | 13               |
| 40       | 32        | 120      | 1/4         | 72        | 173      | 26        | 99        | 26        | 71        | 192      | 260       | 40        | 8        | 134      | 82       | 94        | 15               |
| 50       | 40        | 120      | 1/4         | 83        | 205      | 39        | 132       | 26        | 71        | 222      | 284       | 45        | 8        | 154      | 109      | 122       | 16               |
| 63       | 50        | 120      | 1/4         | 100       | 205      | 39        | 132       | 26        | 71        | 266      | 321       | 45        | 8        | 184      | 109      | 122       | 16               |



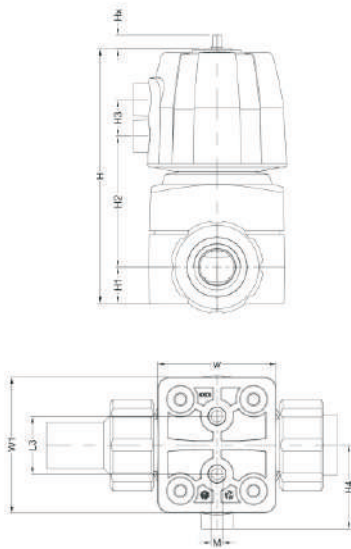
Control function NO  
PP-H , Union Socket-end  
DIN

| <i>d</i><br>(mm) | <i>DN</i><br>(mm) | <i>PN</i><br>(bar) | <i>EPDM(per)</i> | <i>FPM(70)</i> | <i>EPDM-PTFE</i> | <i>KG</i> |
|------------------|-------------------|--------------------|------------------|----------------|------------------|-----------|
| 20               | 15                | 6                  | 302.424.1020     | 302.444.1020   | 302.464.1020     | 0,8       |
| 25               | 20                | 6                  | 302.424.1025     | 302.444.1025   | 302.464.1025     | 0,9       |
| 32               | 25                | 6                  | 302.424.1032     | 302.444.1032   | 302.464.1032     | 1,4       |
| 40               | 32                | 6                  | 302.424.1040     | 302.444.1040   | 302.464.1040     | 2,1       |
| 50               | 40                | 6                  | 302.424.1050     | 302.444.1050   |                  | 3,0       |
| 63               | 50                | 6                  | 302.424.1063     | 302.444.1063   |                  | 3,3       |



Control function NO  
PP-H , Union Spigot Butt+IR  
DIN

| <i>d</i><br>(mm) | <i>DN</i><br>(mm) | <i>PN</i><br>(bar) | <i>EPDM(per)</i> | <i>FPM(70)</i> | <i>EPDM-PTFE</i> | <i>KG</i> |
|------------------|-------------------|--------------------|------------------|----------------|------------------|-----------|
| 20               | 15                | 6                  | 302.424.3020     | 302.444.3020   | 302.464.3020     | 0,8       |
| 25               | 20                | 6                  | 302.424.3025     | 302.444.3025   | 302.464.3025     | 0,9       |
| 32               | 25                | 6                  | 302.424.3032     | 302.444.3032   | 302.464.3032     | 1,4       |
| 40               | 32                | 6                  | 302.424.3040     | 302.444.3040   | 302.464.3040     | 2,1       |
| 50               | 40                | 6                  | 302.424.3050     | 302.444.3050   |                  | 3,0       |
| 63               | 50                | 6                  | 302.424.3063     | 302.444.3063   |                  | 3,3       |

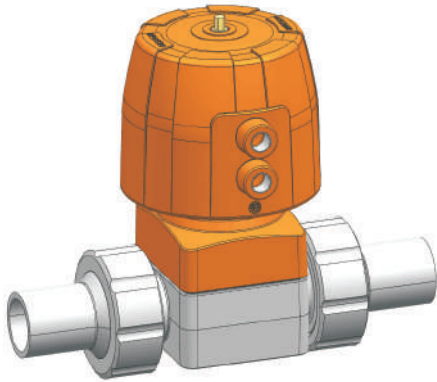


Control function NO  
PP-H , Union Spigot Butt+IR , Oil-free  
DIN

| <i>d</i><br>(mm) | <i>DN</i><br>(mm) | <i>PN</i><br>(bar) | <i>EPDM-PTFE</i> | <i>KG</i> |
|------------------|-------------------|--------------------|------------------|-----------|
| 20               | 15                | 6                  | 302.464.3020.N   | 0,8       |
| 25               | 20                | 6                  | 302.464.3025.N   | 0,9       |
| 32               | 25                | 6                  | 302.464.3032.N   | 1,4       |
| 40               | 32                | 6                  | 302.464.3040.N   | 2,1       |
| 50               | 40                | 6                  |                  |           |
| 63               | 50                | 6                  |                  |           |

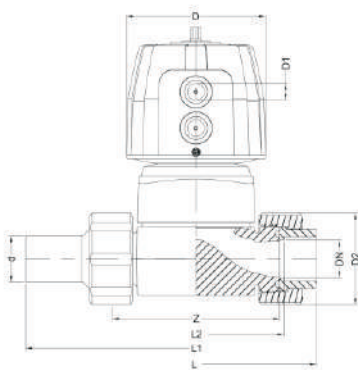
Unit: mm

| <i>d</i> | <i>DN</i> | <i>D</i> | <i>D1_G</i> | <i>D2</i> | <i>H</i> | <i>H1</i> | <i>H2</i> | <i>H3</i> | <i>H4</i> | <i>L</i> | <i>L1</i> | <i>L3</i> | <i>M</i> | <i>Z</i> | <i>W</i> | <i>W1</i> | <i>Lift = Hx</i> |
|----------|-----------|----------|-------------|-----------|----------|-----------|-----------|-----------|-----------|----------|-----------|-----------|----------|----------|----------|-----------|------------------|
| 20       | 15        | 96       | 1/4         | 43        | 126      | 14        | 67        | 25        | 58        | 128      | 196       | 25        | 6        | 90       | 57       | 57        | 7                |
| 25       | 20        | 96       | 1/4         | 51        | 132      | 18        | 73        | 25        | 58        | 152      | 221       | 25        | 6        | 108      | 70       | 70        | 10               |
| 32       | 25        | 96       | 1/4         | 58        | 149      | 26        | 88        | 25        | 58        | 166      | 234       | 40        | 8        | 116      | 82       | 94        | 13               |
| 40       | 32        | 120      | 1/4         | 72        | 173      | 26        | 99        | 26        | 71        | 192      | 260       | 40        | 8        | 134      | 82       | 94        | 15               |
| 50       | 40        | 120      | 1/4         | 83        | 205      | 39        | 132       | 26        | 71        | 222      | 284       | 45        | 8        | 154      | 109      | 122       | 16               |
| 63       | 50        | 120      | 1/4         | 100       | 205      | 39        | 132       | 26        | 71        | 266      | 321       | 45        | 8        | 184      | 109      | 122       | 16               |



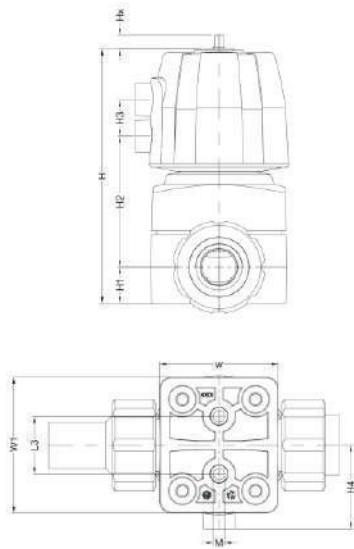
Control function DA  
PP-H , Union Socket-end  
DIN

| <i>d</i><br>(mm) | <i>DN</i><br>(mm) | <i>PN</i><br>(bar) | <i>EPDM(per)</i> | <i>FPM(70)</i> | <i>EPDM-PTFE</i> | <i>KG</i> |
|------------------|-------------------|--------------------|------------------|----------------|------------------|-----------|
| 20               | 15                | 6                  | 302.426.1020     | 302.446.1020   | 302.466.1020     | 0,7       |
| 25               | 20                | 6                  | 302.426.1025     | 302.446.1025   | 302.466.1025     | 0,9       |
| 32               | 25                | 6                  | 302.426.1032     | 302.446.1032   | 302.466.1032     | 1,3       |
| 40               | 32                | 6                  | 302.426.1040     | 302.446.1040   | 302.466.1040     | 1,9       |
| 50               | 40                | 6                  | 302.426.1050     | 302.446.1050   |                  | 2,9       |
| 63               | 50                | 6                  | 302.426.1063     | 302.446.1063   |                  | 3,2       |



Control function DA  
PP-H , Union Spigot Butt+IR  
DIN

| <i>d</i><br>(mm) | <i>DN</i><br>(mm) | <i>PN</i><br>(bar) | <i>EPDM(per)</i> | <i>FPM(70)</i> | <i>EPDM-PTFE</i> | <i>KG</i> |
|------------------|-------------------|--------------------|------------------|----------------|------------------|-----------|
| 20               | 15                | 6                  | 302.426.3020     | 302.446.3020   | 302.466.3020     | 0,7       |
| 25               | 20                | 6                  | 302.426.3025     | 302.446.3025   | 302.466.3025     | 0,9       |
| 32               | 25                | 6                  | 302.426.3032     | 302.446.3032   | 302.466.3032     | 1,3       |
| 40               | 32                | 6                  | 302.426.3040     | 302.446.3040   | 302.466.3040     | 1,9       |
| 50               | 40                | 6                  | 302.426.3050     | 302.446.3050   |                  | 2,9       |
| 63               | 50                | 6                  | 302.426.3063     | 302.446.3063   |                  | 3,2       |

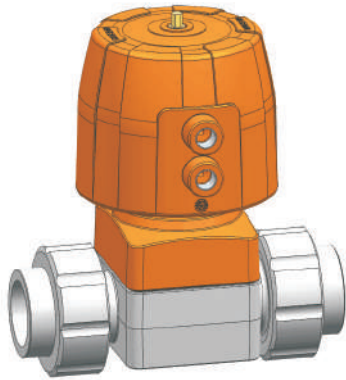


Control function DA  
PP-H , Union Spigot Butt+IR , Oil-free  
DIN

| <i>d</i><br>(mm) | <i>DN</i><br>(mm) | <i>PN</i><br>(bar) | <i>EPDM-PTFE</i> | <i>KG</i> |
|------------------|-------------------|--------------------|------------------|-----------|
| 20               | 15                | 6                  | 302.466.3020.N   | 0,7       |
| 25               | 20                | 6                  | 302.466.3025.N   | 0,9       |
| 32               | 25                | 6                  | 302.466.3032.N   | 1,3       |
| 40               | 32                | 6                  | 302.466.3040.N   | 1,9       |
| 50               | 40                | 6                  |                  |           |
| 63               | 50                | 6                  |                  |           |

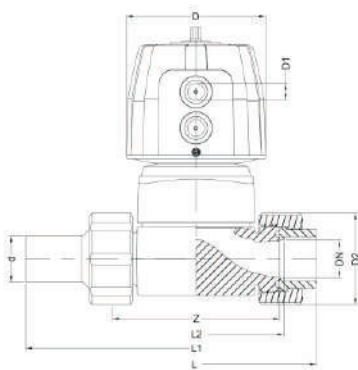
Unit: mm

| <i>d</i> | <i>DN</i> | <i>D</i> | <i>D1_G</i> | <i>D2</i> | <i>H</i> | <i>H1</i> | <i>H2</i> | <i>H3</i> | <i>H4</i> | <i>L</i> | <i>L1</i> | <i>L3</i> | <i>M</i> | <i>Z</i> | <i>W</i> | <i>W1</i> | <i>Lift = Hx</i> |
|----------|-----------|----------|-------------|-----------|----------|-----------|-----------|-----------|-----------|----------|-----------|-----------|----------|----------|----------|-----------|------------------|
| 20       | 15        | 96       | 1/4         | 43        | 126      | 14        | 67        | 25        | 58        | 128      | 196       | 25        | 6        | 90       | 57       | 57        | 7                |
| 25       | 20        | 96       | 1/4         | 51        | 132      | 18        | 73        | 25        | 58        | 152      | 221       | 25        | 6        | 108      | 70       | 70        | 10               |
| 32       | 25        | 96       | 1/4         | 58        | 149      | 26        | 88        | 25        | 58        | 166      | 234       | 40        | 8        | 116      | 82       | 94        | 13               |
| 40       | 32        | 120      | 1/4         | 72        | 173      | 26        | 99        | 26        | 71        | 192      | 260       | 40        | 8        | 134      | 82       | 94        | 15               |
| 50       | 40        | 120      | 1/4         | 83        | 205      | 39        | 132       | 26        | 71        | 222      | 284       | 45        | 8        | 154      | 109      | 122       | 16               |
| 63       | 50        | 120      | 1/4         | 100       | 205      | 39        | 132       | 26        | 71        | 266      | 321       | 45        | 8        | 184      | 109      | 122       | 16               |



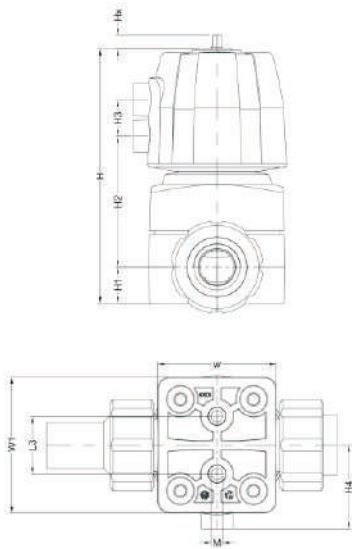
Control function NC  
 PP-N , Union Socket-end  
 DIN

| <i>d</i><br>(mm) | <i>DN</i><br>(mm) | <i>PN</i><br>(bar) | <i>EPDM(per)</i> | <i>FPM(70)</i> | <i>EPDM-PTFE</i> | <i>KG</i> |
|------------------|-------------------|--------------------|------------------|----------------|------------------|-----------|
| 20               | 15                | 6                  | 302.522.1020     | 302.542.1020   | 302.562.1020     | 0,8       |
| 25               | 20                | 6                  | 302.522.1025     | 302.542.1025   | 302.562.1025     | 1,0       |
| 32               | 25                | 6                  | 302.522.1032     | 302.542.1032   | 302.562.1032     | 1,4       |
| 40               | 32                | 6                  | 302.522.1040     | 302.542.1040   | 302.562.1040     | 2,2       |
| 50               | 40                | 6                  | 302.522.1050     | 302.542.1050   |                  | 3,3       |
| 63               | 50                | 6                  | 302.522.1063     | 302.542.1063   |                  | 3,6       |



Control function NC  
 PP-N , Union Spigot Butt+IR  
 DIN

| <i>d</i><br>(mm) | <i>DN</i><br>(mm) | <i>PN</i><br>(bar) | <i>EPDM(per)</i> | <i>FPM(70)</i> | <i>EPDM-PTFE</i> | <i>KG</i> |
|------------------|-------------------|--------------------|------------------|----------------|------------------|-----------|
| 20               | 15                | 6                  | 302.522.3020     | 302.542.3020   | 302.562.3020     | 0,8       |
| 25               | 20                | 6                  | 302.522.3025     | 302.542.3025   | 302.562.3025     | 1,0       |
| 32               | 25                | 6                  | 302.522.3032     | 302.542.3032   | 302.562.3032     | 1,4       |
| 40               | 32                | 6                  | 302.522.3040     | 302.542.3040   | 302.562.3040     | 2,2       |
| 50               | 40                | 6                  | 302.522.3050     | 302.542.3050   |                  | 3,3       |
| 63               | 50                | 6                  | 302.522.3063     | 302.542.3063   |                  | 3,6       |

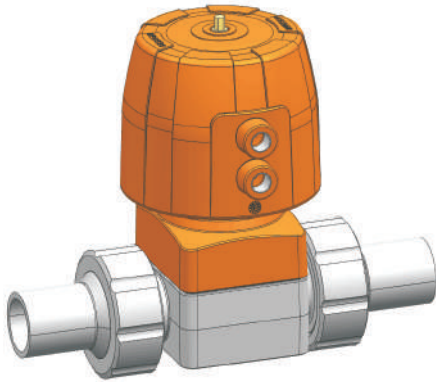


Control function NC  
 PP-N , Union Spigot Butt+IR , Oil-free  
 DIN

| <i>d</i><br>(mm) | <i>DN</i><br>(mm) | <i>PN</i><br>(bar) | <i>EPDM-PTFE</i> | <i>KG</i> |
|------------------|-------------------|--------------------|------------------|-----------|
| 20               | 15                | 6                  | 302.562.3020.N   | 0,8       |
| 25               | 20                | 6                  | 302.562.3025.N   | 1,0       |
| 32               | 25                | 6                  | 302.562.3032.N   | 1,4       |
| 40               | 32                | 6                  | 302.562.3040.N   | 2,2       |
| 50               | 40                | 6                  |                  |           |
| 63               | 50                | 6                  |                  |           |

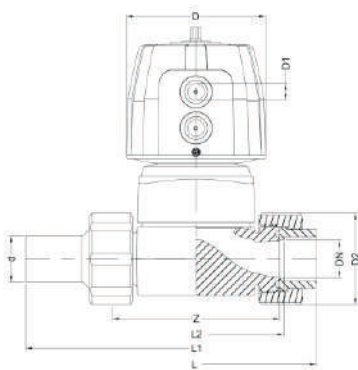
Unit: mm

| <i>d</i> | <i>DN</i> | <i>D</i> | <i>D1_G</i> | <i>D2</i> | <i>H</i> | <i>H1</i> | <i>H2</i> | <i>H3</i> | <i>H4</i> | <i>L</i> | <i>L1</i> | <i>L3</i> | <i>M</i> | <i>Z</i> | <i>W</i> | <i>W1</i> | <i>Lift = Hx</i> |
|----------|-----------|----------|-------------|-----------|----------|-----------|-----------|-----------|-----------|----------|-----------|-----------|----------|----------|----------|-----------|------------------|
| 20       | 15        | 96       | 1/4         | 43        | 126      | 14        | 67        | 25        | 58        | 128      | 196       | 25        | 6        | 90       | 57       | 57        | 7                |
| 25       | 20        | 96       | 1/4         | 51        | 132      | 18        | 73        | 25        | 58        | 152      | 221       | 25        | 6        | 108      | 70       | 70        | 10               |
| 32       | 25        | 96       | 1/4         | 58        | 149      | 26        | 88        | 25        | 58        | 166      | 234       | 40        | 8        | 116      | 82       | 94        | 13               |
| 40       | 32        | 120      | 1/4         | 72        | 173      | 26        | 99        | 26        | 71        | 192      | 260       | 40        | 8        | 134      | 82       | 94        | 15               |
| 50       | 40        | 120      | 1/4         | 83        | 205      | 39        | 132       | 26        | 71        | 222      | 284       | 45        | 8        | 154      | 109      | 122       | 16               |
| 63       | 50        | 120      | 1/4         | 100       | 205      | 39        | 132       | 26        | 71        | 266      | 321       | 45        | 8        | 184      | 109      | 122       | 16               |



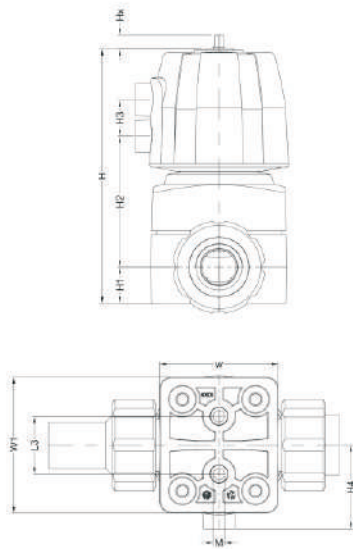
Control function NC  
PVDF , Union Socket-end  
DIN

| <i>d</i><br>(mm) | <i>DN</i><br>(mm) | <i>PN</i><br>(bar) | <i>FPM(70)</i> | <i>EPDM-PTFE</i> | <i>KG</i> |
|------------------|-------------------|--------------------|----------------|------------------|-----------|
| 20               | 15                | 6                  | 302.642.1020   | 302.662.1020     | 0,9       |
| 25               | 20                | 6                  | 302.642.1025   | 302.662.1025     | 1,1       |
| 32               | 25                | 6                  | 302.642.1032   | 302.662.1032     | 1,7       |
| 40               | 32                | 6                  | 302.642.1040   | 302.662.1040     | 2,5       |
| 50               | 40                | 6                  | 302.642.1050   |                  | 3,9       |
| 63               | 50                | 6                  | 302.642.1063   |                  | 4,3       |



Control function NC  
PVDF , Union Spigot Butt+IR  
DIN

| <i>d</i><br>(mm) | <i>DN</i><br>(mm) | <i>PN</i><br>(bar) | <i>FPM(70)</i> | <i>EPDM-PTFE</i> | <i>KG</i> |
|------------------|-------------------|--------------------|----------------|------------------|-----------|
| 20               | 15                | 6                  | 302.642.3020   | 302.662.3020     | 0,9       |
| 25               | 20                | 6                  | 302.642.3025   | 302.662.3025     | 1,1       |
| 32               | 25                | 6                  | 302.642.3032   | 302.662.3032     | 1,7       |
| 40               | 32                | 6                  | 302.642.3040   | 302.662.3040     | 2,5       |
| 50               | 40                | 6                  | 302.642.3050   |                  | 3,9       |
| 63               | 50                | 6                  | 302.642.3063   |                  | 4,3       |

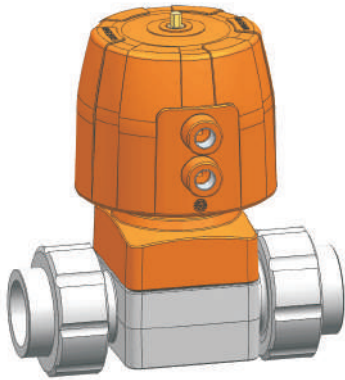


Control function NC  
PVDF , Union Spigot Butt+IR , Oil-free  
DIN

| <i>d</i><br>(mm) | <i>DN</i><br>(mm) | <i>PN</i><br>(bar) | <i>EPDM-PTFE</i> | <i>KG</i> |
|------------------|-------------------|--------------------|------------------|-----------|
| 20               | 15                | 6                  | 302.662.3020.N   | 0,9       |
| 25               | 20                | 6                  | 302.662.3025.N   | 1,1       |
| 32               | 25                | 6                  | 302.662.3032.N   | 1,7       |
| 40               | 32                | 6                  | 302.662.3040.N   | 2,5       |
| 50               | 40                | 6                  |                  |           |
| 63               | 50                | 6                  |                  |           |

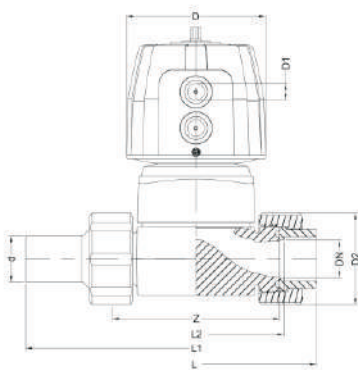
Unit: mm

| <i>d</i> | <i>DN</i> | <i>D</i> | <i>D1_G</i> | <i>D2</i> | <i>H</i> | <i>H1</i> | <i>H2</i> | <i>H3</i> | <i>H4</i> | <i>L</i> | <i>L1</i> | <i>L3</i> | <i>M</i> | <i>Z</i> | <i>W</i> | <i>W1</i> | <i>Lift = Hx</i> |
|----------|-----------|----------|-------------|-----------|----------|-----------|-----------|-----------|-----------|----------|-----------|-----------|----------|----------|----------|-----------|------------------|
| 20       | 15        | 96       | 1/4         | 43        | 126      | 14        | 67        | 25        | 58        | 128      | 196       | 25        | 6        | 90       | 57       | 57        | 7                |
| 25       | 20        | 96       | 1/4         | 51        | 132      | 18        | 73        | 25        | 58        | 152      | 221       | 25        | 6        | 108      | 70       | 70        | 10               |
| 32       | 25        | 96       | 1/4         | 58        | 149      | 26        | 88        | 25        | 58        | 166      | 234       | 40        | 8        | 116      | 82       | 94        | 13               |
| 40       | 32        | 120      | 1/4         | 72        | 173      | 26        | 99        | 26        | 71        | 192      | 260       | 40        | 8        | 134      | 82       | 94        | 15               |
| 50       | 40        | 120      | 1/4         | 83        | 205      | 39        | 132       | 26        | 71        | 222      | 284       | 45        | 8        | 154      | 109      | 122       | 16               |
| 63       | 50        | 120      | 1/4         | 100       | 205      | 39        | 132       | 26        | 71        | 266      | 321       | 45        | 8        | 184      | 109      | 122       | 16               |



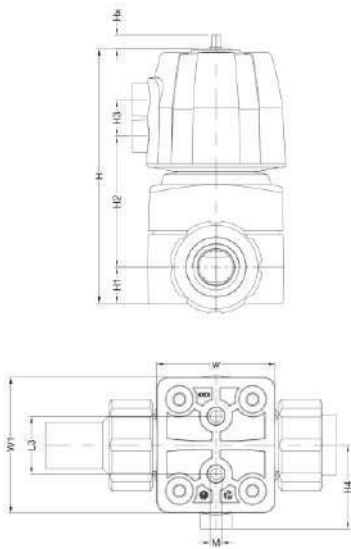
Control function NO  
PVDF , Union Socket-end  
DIN

| <i>d</i><br>(mm) | <i>DN</i><br>(mm) | <i>PN</i><br>(bar) | <i>FPM(70)</i> | <i>EPDM-PTFE</i> | <i>KG</i> |
|------------------|-------------------|--------------------|----------------|------------------|-----------|
| 20               | 15                | 6                  | 302.644.1020   | 302.664.1020     | 0,9       |
| 25               | 20                | 6                  | 302.644.1025   | 302.664.1025     | 1,1       |
| 32               | 25                | 6                  | 302.644.1032   | 302.664.1032     | 1,6       |
| 40               | 32                | 6                  | 302.644.1040   | 302.664.1040     | 2,4       |
| 50               | 40                | 6                  | 302.644.1050   |                  | 3,7       |
| 63               | 50                | 6                  | 302.644.1063   |                  | 4,1       |



Control function NO  
PVDF , Union Spigot Butt+IR  
DIN

| <i>d</i><br>(mm) | <i>DN</i><br>(mm) | <i>PN</i><br>(bar) | <i>FPM(70)</i> | <i>EPDM-PTFE</i> | <i>KG</i> |
|------------------|-------------------|--------------------|----------------|------------------|-----------|
| 20               | 15                | 6                  | 302.644.3020   | 302.664.3020     | 0,9       |
| 25               | 20                | 6                  | 302.644.3025   | 302.664.3025     | 1,1       |
| 32               | 25                | 6                  | 302.644.3032   | 302.664.3032     | 1,6       |
| 40               | 32                | 6                  | 302.644.3040   | 302.664.3040     | 2,4       |
| 50               | 40                | 6                  | 302.644.3050   |                  | 3,7       |
| 63               | 50                | 6                  | 302.644.3063   |                  | 4,1       |

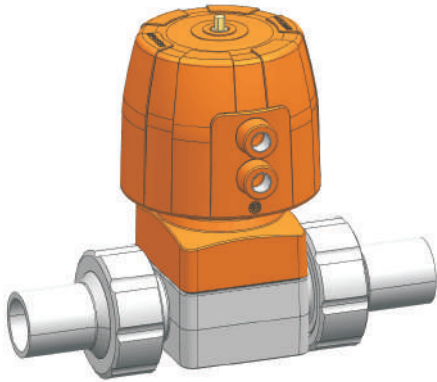


Control function NO  
PVDF , Union Spigot Butt+IR , Oil-free  
DIN

| <i>d</i><br>(mm) | <i>DN</i><br>(mm) | <i>PN</i><br>(bar) | <i>EPDM-PTFE</i> | <i>KG</i> |
|------------------|-------------------|--------------------|------------------|-----------|
| 20               | 15                | 6                  | 302.664.3020.N   | 0,9       |
| 25               | 20                | 6                  | 302.664.3025.N   | 1,1       |
| 32               | 25                | 6                  | 302.664.3032.N   | 1,6       |
| 40               | 32                | 6                  | 302.664.3040.N   | 2,4       |
| 50               | 40                | 6                  |                  |           |
| 63               | 50                | 6                  |                  |           |

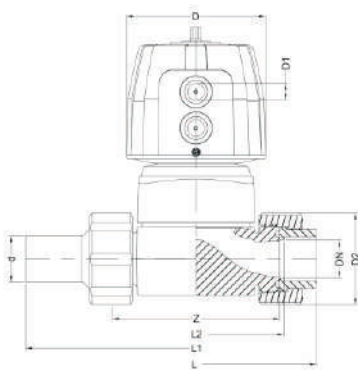
Unit: mm

| <i>d</i> | <i>DN</i> | <i>D</i> | <i>D1_G</i> | <i>D2</i> | <i>H</i> | <i>H1</i> | <i>H2</i> | <i>H3</i> | <i>H4</i> | <i>L</i> | <i>L1</i> | <i>L3</i> | <i>M</i> | <i>Z</i> | <i>W</i> | <i>W1</i> | <i>Lift = Hx</i> |
|----------|-----------|----------|-------------|-----------|----------|-----------|-----------|-----------|-----------|----------|-----------|-----------|----------|----------|----------|-----------|------------------|
| 20       | 15        | 96       | 1/4         | 43        | 126      | 14        | 67        | 25        | 58        | 128      | 196       | 25        | 6        | 90       | 57       | 57        | 7                |
| 25       | 20        | 96       | 1/4         | 51        | 132      | 18        | 73        | 25        | 58        | 152      | 221       | 25        | 6        | 108      | 70       | 70        | 10               |
| 32       | 25        | 96       | 1/4         | 58        | 149      | 26        | 88        | 25        | 58        | 166      | 234       | 40        | 8        | 116      | 82       | 94        | 13               |
| 40       | 32        | 120      | 1/4         | 72        | 173      | 26        | 99        | 26        | 71        | 192      | 260       | 40        | 8        | 134      | 82       | 94        | 15               |
| 50       | 40        | 120      | 1/4         | 83        | 205      | 39        | 132       | 26        | 71        | 222      | 284       | 45        | 8        | 154      | 109      | 122       | 16               |
| 63       | 50        | 120      | 1/4         | 100       | 205      | 39        | 132       | 26        | 71        | 266      | 321       | 45        | 8        | 184      | 109      | 122       | 16               |



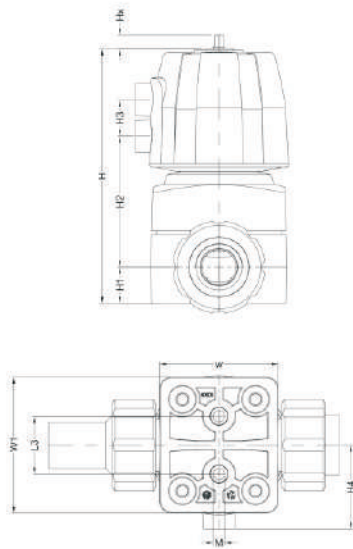
Control function DA  
PVDF , Union Socket-end  
DIN

| <i>d</i><br>(mm) | <i>DN</i><br>(mm) | <i>PN</i><br>(bar) | <i>FPM(70)</i> | <i>EPDM-PTFE</i> | <i>KG</i> |
|------------------|-------------------|--------------------|----------------|------------------|-----------|
| 20               | 15                | 6                  | 302.646.1020   | 302.666.1020     | 0,8       |
| 25               | 20                | 6                  | 302.646.1025   | 302.666.1025     | 1,0       |
| 32               | 25                | 6                  | 302.646.1032   | 302.666.1032     | 1,6       |
| 40               | 32                | 6                  | 302.646.1040   | 302.666.1040     | 2,3       |
| 50               | 40                | 6                  | 302.646.1050   |                  | 3,5       |
| 63               | 50                | 6                  | 302.646.1063   |                  | 3,9       |



Control function DA  
PVDF , Union Spigot Butt+IR  
DIN

| <i>d</i><br>(mm) | <i>DN</i><br>(mm) | <i>PN</i><br>(bar) | <i>FPM(70)</i> | <i>EPDM-PTFE</i> | <i>KG</i> |
|------------------|-------------------|--------------------|----------------|------------------|-----------|
| 20               | 15                | 6                  | 302.646.3020   | 302.666.3020     | 0,8       |
| 25               | 20                | 6                  | 302.646.3025   | 302.666.3025     | 1,0       |
| 32               | 25                | 6                  | 302.646.3032   | 302.666.3032     | 1,6       |
| 40               | 32                | 6                  | 302.646.3040   | 302.666.3040     | 2,3       |
| 50               | 40                | 6                  | 302.646.3050   |                  | 3,5       |
| 63               | 50                | 6                  | 302.646.3063   |                  | 3,9       |



Control function DA  
PVDF , Union Spigot Butt+IR , Oil-free  
DIN

| <i>d</i><br>(mm) | <i>DN</i><br>(mm) | <i>PN</i><br>(bar) | <i>EPDM-PTFE</i> | <i>KG</i> |
|------------------|-------------------|--------------------|------------------|-----------|
| 20               | 15                | 6                  | 302.666.3020.N   | 0,8       |
| 25               | 20                | 6                  | 302.666.3025.N   | 1,0       |
| 32               | 25                | 6                  | 302.666.3032.N   | 1,6       |
| 40               | 32                | 6                  | 302.666.3040.N   | 2,3       |
| 50               | 40                | 6                  |                  |           |
| 63               | 50                | 6                  |                  |           |

Unit: mm

| <i>d</i> | <i>DN</i> | <i>D</i> | <i>D1_G</i> | <i>D2</i> | <i>H</i> | <i>H1</i> | <i>H2</i> | <i>H3</i> | <i>H4</i> | <i>L</i> | <i>L1</i> | <i>L3</i> | <i>M</i> | <i>Z</i> | <i>W</i> | <i>W1</i> | <i>Lift = Hx</i> |
|----------|-----------|----------|-------------|-----------|----------|-----------|-----------|-----------|-----------|----------|-----------|-----------|----------|----------|----------|-----------|------------------|
| 20       | 15        | 96       | 1/4         | 43        | 126      | 14        | 67        | 25        | 58        | 128      | 196       | 25        | 6        | 90       | 57       | 57        | 7                |
| 25       | 20        | 96       | 1/4         | 51        | 132      | 18        | 73        | 25        | 58        | 152      | 221       | 25        | 6        | 108      | 70       | 70        | 10               |
| 32       | 25        | 96       | 1/4         | 58        | 149      | 26        | 88        | 25        | 58        | 166      | 234       | 40        | 8        | 116      | 82       | 94        | 13               |
| 40       | 32        | 120      | 1/4         | 72        | 173      | 26        | 99        | 26        | 71        | 192      | 260       | 40        | 8        | 134      | 82       | 94        | 15               |
| 50       | 40        | 120      | 1/4         | 83        | 205      | 39        | 132       | 26        | 71        | 222      | 284       | 45        | 8        | 154      | 109      | 122       | 16               |
| 63       | 50        | 120      | 1/4         | 100       | 205      | 39        | 132       | 26        | 71        | 266      | 321       | 45        | 8        | 184      | 109      | 122       | 16               |

**ontact**  
customer center  
[www.koscn.cn](http://www.koscn.cn)



**KOSCN**