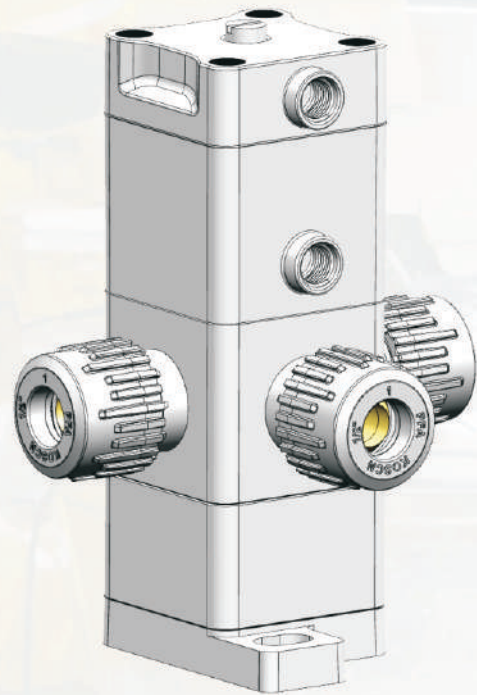


DV 313

Pneumatic 3-way valve



KOSCN Control Valves DV Pneumatic three-way valve is a valve that controls the fluid path. It has different structural types of single seat and double seat. It is based on the mechanical principle of fluid dynamics and control valve to achieve accurate control of the fluid path and flow rate. At the same time, the products have ultra-pure electronic grade standards, which can be widely used in biopharmaceutical and semiconductor industries.

Easy installation and maintenance

- * All-plastic appearance structure, NC and NO free choice
- * Miniaturized design, easy installation, no maintenance
- * UNF standard FlareLINK interface thread, higher adaptability and interchangeability
- * There are options for manual local control functions

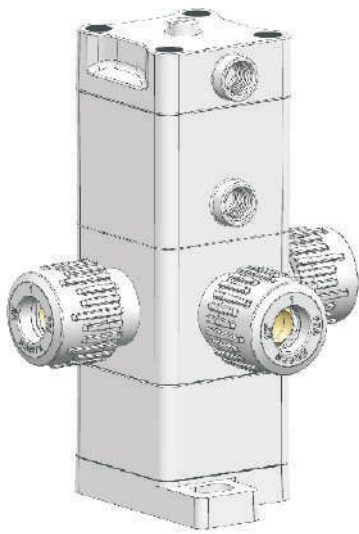
High safety performance

- * Complies with FDA 177-1520 / 177-1550 dissolution testing requirements
- * Ultra-pure products comply with SEMI F057 standards
- * The PTFE diaphragm has a low Particulate characteristic

High Flexibility

- * Wetted material PTFE, PFA
- * Diaphragm material PTFE
- * Nut material PVDF or PFA
- * Seal kit FKM/EPDM optional
- * Structure material PVDF、PP or PPS
- * Scalable manual limit and position feedback sensor





Performance data

Item	Unit	Data
A to B service pressure	bar	0...5,0
C-end Back pressure	bar	0...4,0
A to C service pressure	bar	0...5,0
B-end Back pressure	bar	0...2,0
Control pressure	kgf/cm ²	4,0...5,0
Leakage rate	cm ³ /min	0 (Based on water pressure)
CV		1,9
Operating temperature	°C	5...80
Ambient temperature	°C	0...60 (sensor 0...50)
Material	Valve body	PTFE
	Diaphragm	PTFE
	Actuating element	PVDF / PPN / PTFE
	Baseplate	PVDF / PPS
	Bolt	SUS Coating

Product code

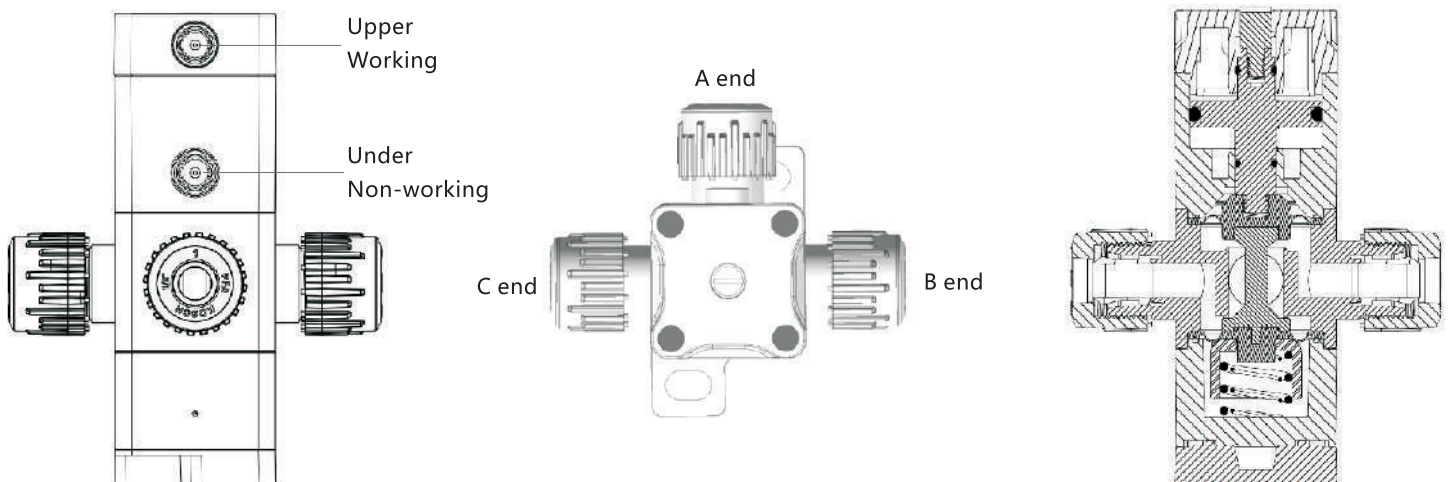
Size (Inch)	Code	Connection Type	Actuating element	Spring housing	Baseplate
1/2	313.8602412	Insert Bushing	PVDF	PVDF	PVDF
1/2	313.8602412J	Insert Bushing	PP	PTFE	PPGF
1/2	313.8602412H	Insert Bushing	PPS	PTFE	PPS

Function Description

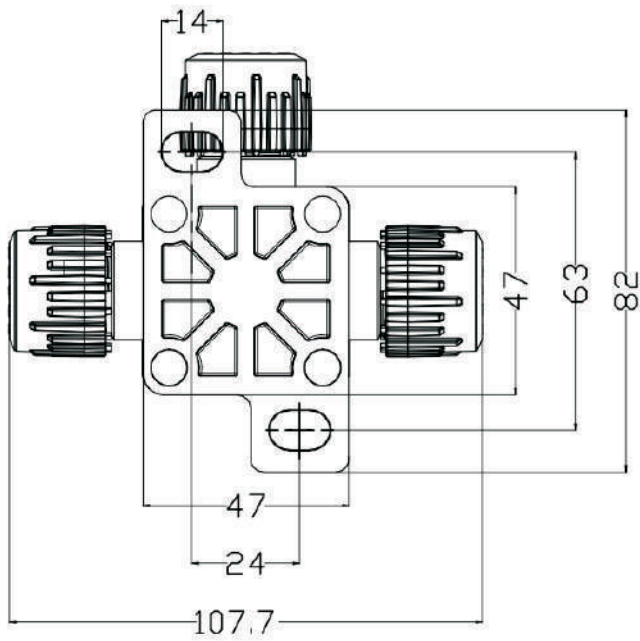
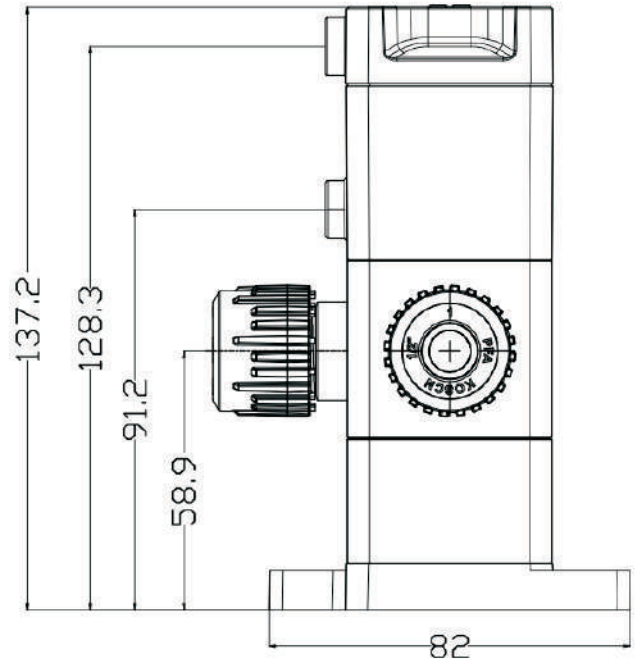
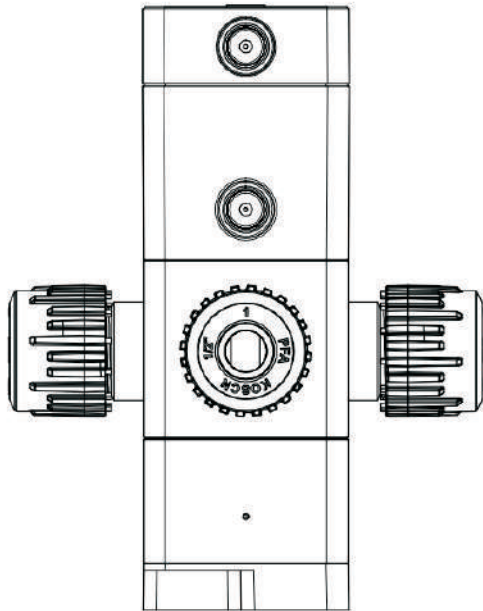
T-type pneumatic three-way valve, single seat, piston type, for medium shunt and reversing switch

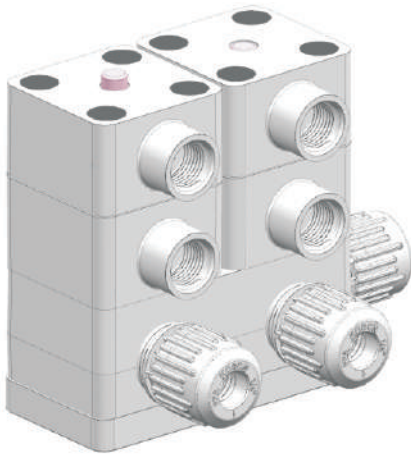
When there is no air source drive, end A and end B are connected

When the upper air source is driven, end A and C end are connected



1/2 Size





Performance data

Item	Unit	Data
Service pressure	bar	0...5,0
Backpressure	bar	0...5,0
NC/NO control pressure	kgf/cm ²	4,0...5,0
DA control pressure	kgf/cm ²	3,0...4,0
Leakage rate	cm ³ /min	0 (Based on water pressure)
Configurable sensors	VDC	24 (PNP or NPN)
Operating temperature	°C	5...120
Ambient temperature	°C	0...60 (sensor 0...50)
Material	Valve body	PFA
	Diaphragm	PTFE
	Actuating element	PVDF
	Baseplate	PVDF / SUS
	Bolt	SUS Coating

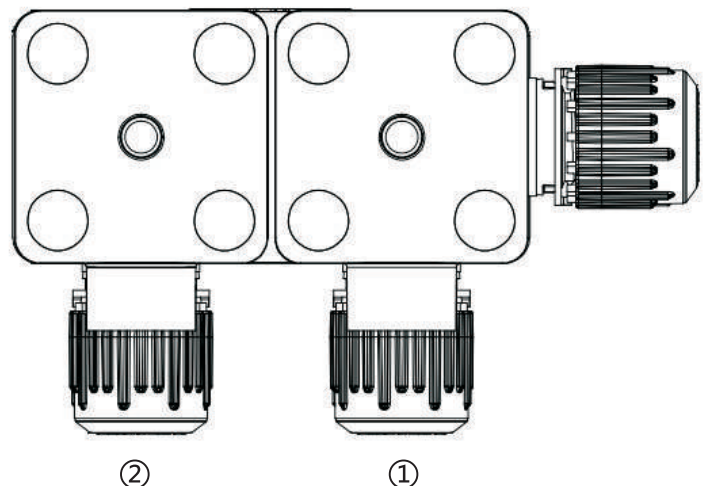
Product code

Size (Inch)	Insert Bushing		作用方式	
	PFA-UHP	PFA	①	②
F-Type				
1/4	313.7622406	313.7622406C	NO	NC
1/4	313.7632406	313.7632406C	NC	NO
1/4	313.7642406	313.7642406C	NC	NC
1/4	313.7652406	313.7652406C	NO	NO

Function Description

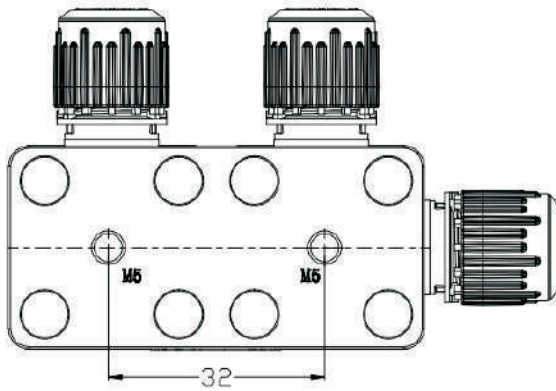
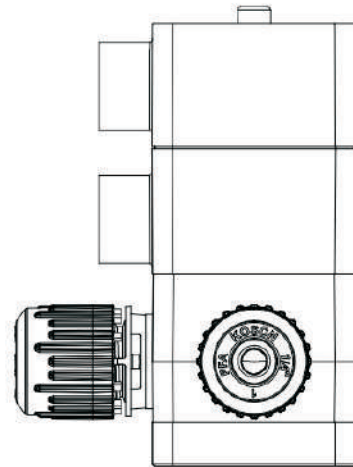
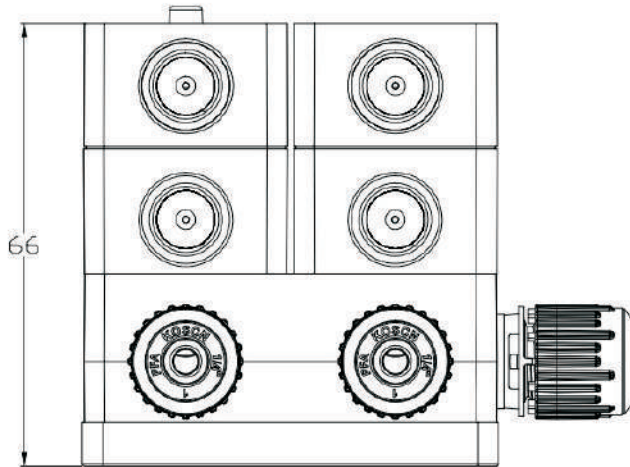
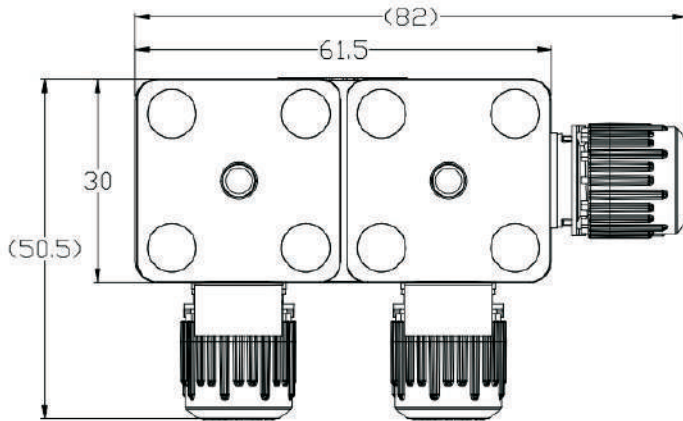
F-type two-seat three-way valve, one into two, standard valve structure flow channel. Position feedback sensor can be configured

- ① Valve position: pneumatic cutting function, optional mode of action
- ② Valve position: pneumatic cutting function, optional mode of action



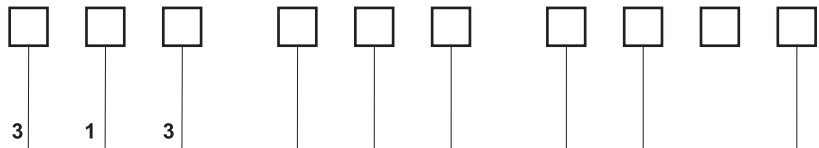
DV313 , 2-SEAT PNEUMATIC 3-WAY VALVES

1/4 Size



Order code

DV313 3-way valve



Valve body material									
	PVDF				6				
	PFA				7				
	PTFE				8				
Diaphragm material									
	PTFE				6				
Working mode									
	1 seat T type, Right NO							0	
	1 seat T type, Left NO							1	
	2 seat F type, NO-NC							2	
	2 seat F type, NC-NO							3	
	2 seat F type, NC-NC							4	
	2 seat F type, NO-NO							5	
	2 seat F type, NO-NC (Manual flow regulation is available)							6	
	2 seat F type, NC-NO (Manual flow regulation is available)							7	
	2 seat F type, NC-NC (Manual flow regulation is available)							8	
	2 seat F type, NO-NO (Manual flow regulation is available)							9	
Connection mode									
	Flare LINK: PVDF NUT							0	
	Insert Bushing							2	
	Flare LINK: PFA NUT							4	
	Thread							9	
Connection standard									
	ANSI UNF							4	
	BSP/G							6	
	NPT							8	
Interface size									
	1/16"								02
	1/8"								03
	1/4"								06
	3/8"								10
	1/2"								12
	3/4"								19
	1"								26

**ontact**
customer center
www.koscn.cn



KOSCN