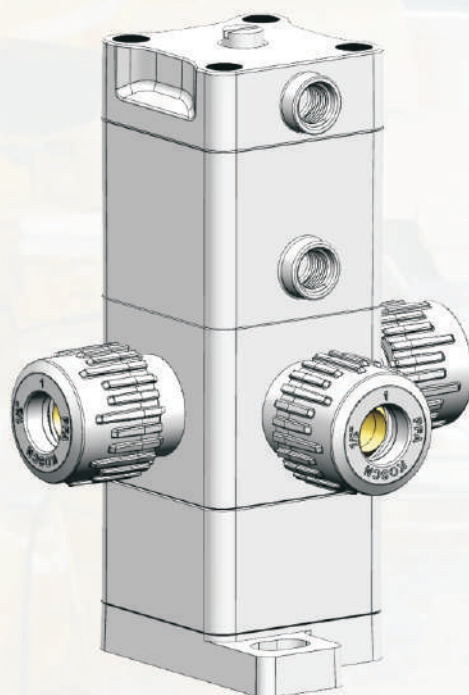


DV 313

气动三通阀



KOSCN Control Valves DV 系列气动三通阀是一种控制流体路径的阀门，有单座和双座不同的结构型式，基于流体动力学和控制阀的机械原理，来实现对流体路径和流量的精确控制。同时产品具备超纯的电子级标准，可广泛应用于生物制药和半导体行业。

方便操作和维护

- * 多种功能组合, NC和 NO 自由选择
- * 小型化设计、安装方便、无需保养
- * UNF 标准的螺纹, 适配和互换性更高
- * 具有手动就地控制功能选项

高安全性能

- * 符合 FDA 177-1520 / 177-1550 溶出试验要求
- * UHP 的超纯产品符合 SEMI F057 标准
- * 低 Particulate 特征的 PTFE 隔膜

高灵活性

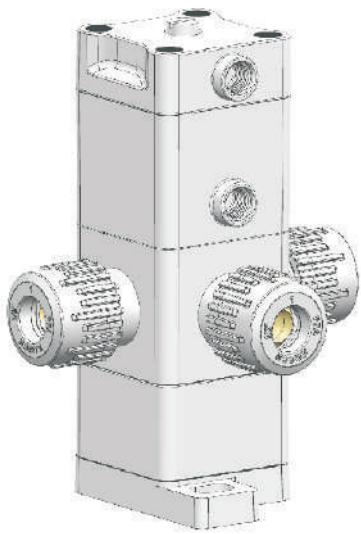
- * 接液材质 PTFE 、PFA
- * 隔膜材质 PTFE
- * 结构材质 PVDF 、PP-Natural
- * 接口形式 FlareLINK 、Insert Bushing
- * 螺母材质 扩口 PVDF/PFA 、入珠 PFA
- * 自动扩展 可扩展手动限位、位置反馈传感器
- * 提供定制化服务

性能特点

- * 介质压力 0...5 bar
- * 耐受温度 5...120 °C (需对应不同产品和材质的特性选用)
- * 控制方式 NC、NO 组合或单选

应用

- * 光伏
- * 半导体
- * 生物制药
- * 新材料
- * 化工
- * 水处理



性能数据 Performance data

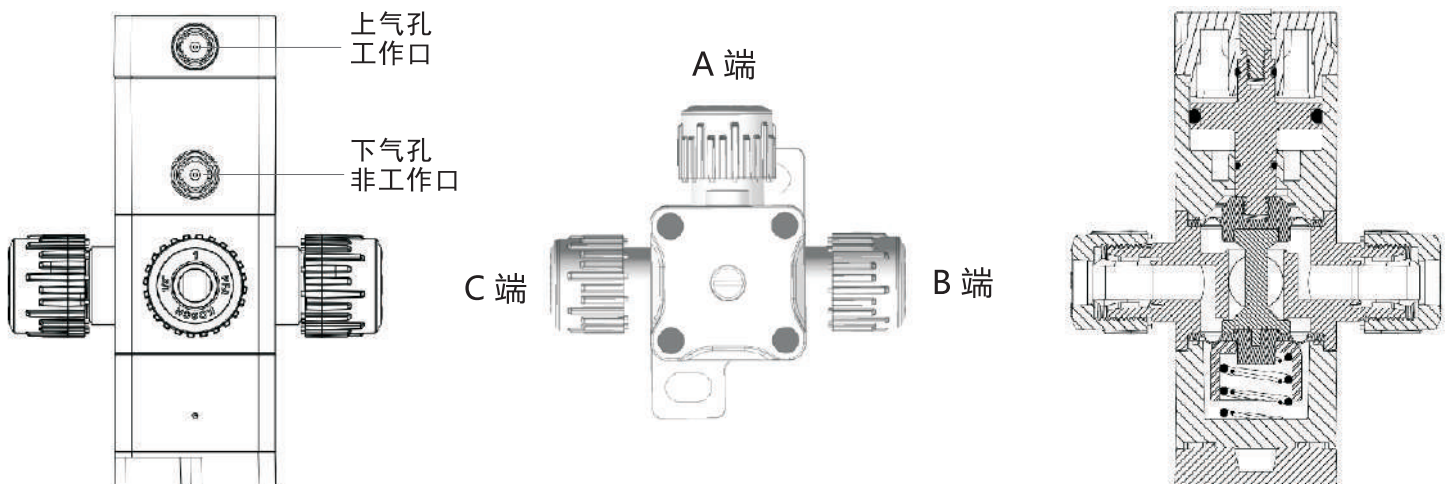
| Item | Unit | Data |
|-------------------------|----------------------|-------------------------------|
| A to B service pressure | bar | 0...5,0 |
| C-end Back pressure | bar | 0...4,0 |
| A to C service pressure | bar | 0...5,0 |
| B-end Back pressure | bar | 0...2,0 |
| Control pressure | kgf/cm ² | 4,0...5,0 |
| Leakage rate | cm ³ /min | 0 (Based on water pressure) |
| CV | | 1,9 |
| Operating temperature | °C | 5...80 |
| Ambient temperature | °C | 0...60 (sensor 0...50) |
| Material | Valve body | PTFE |
| | Diaphragm | PTFE |
| | Actuating element | PVDF / PPN / PTFE |
| | Baseplate | PVDF / PPS |
| | Bolt | SUS Coating |

规格料号 Product code

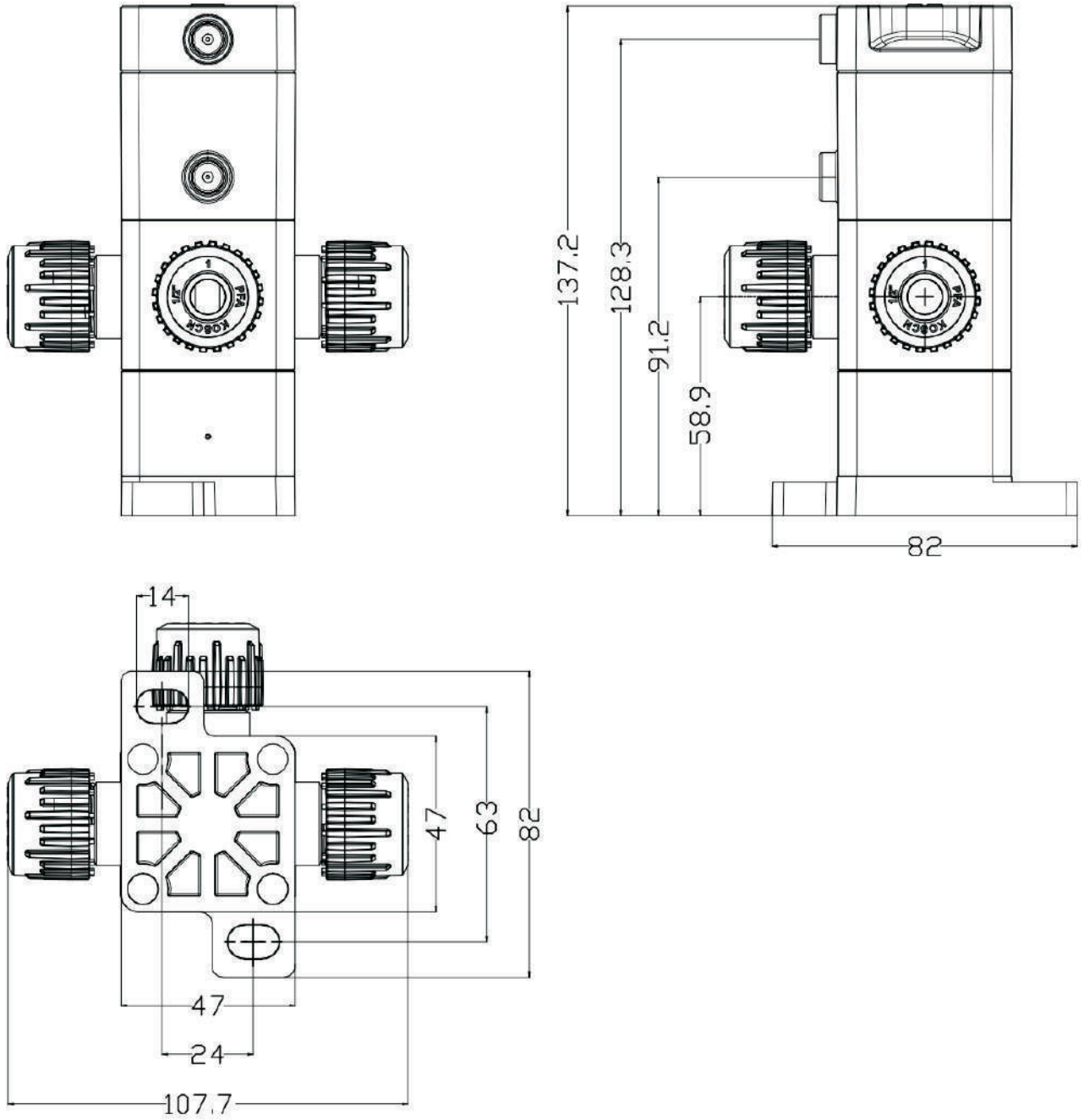
| Size (Inch) | Code | Connection Type | Actuating element | Spring housing | Baseplate |
|-------------|--------------|-----------------|-------------------|----------------|-----------|
| 1/2 | 313.8602412 | Insert Bushing | PVDF | PVDF | PVDF |
| 1/2 | 313.8602412J | Insert Bushing | PP | PTFE | PPGF |
| 1/2 | 313.8602412H | Insert Bushing | PPS | PTFE | PPS |

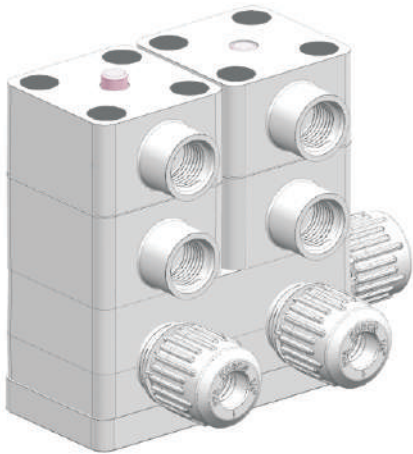
功能描述 Function Description

T型气动三通阀, 单座, 活塞式, 用于介质分流和换向切换
 没有气源驱动情况下, A和B端通
 上气孔气源驱动情况下, A和C端通



1/2 接管口径 Size





性能数据 Performance data

| Item | Unit | Data |
|------------------------|----------------------|-------------------------------|
| Service pressure | bar | 0...5,0 |
| Backpressure | bar | 0...5,0 |
| NC/NO control pressure | kgf/cm ² | 4,0...5,0 |
| DA control pressure | kgf/cm ² | 3,0...4,0 |
| Leakage rate | cm ³ /min | 0 (Based on water pressure) |
| Configurable sensors | VDC | 24 (PNP or NPN) |
| Operating temperature | °C | 5...120 |
| Ambient temperature | °C | 0...60 (sensor 0...50) |
| Material | Valve body | PFA |
| | Diaphragm | PTFE |
| | Actuating element | PVDF |
| | Baseplate | PVDF / SUS |
| | Bolt | SUS Coating |

规格料号 Product code

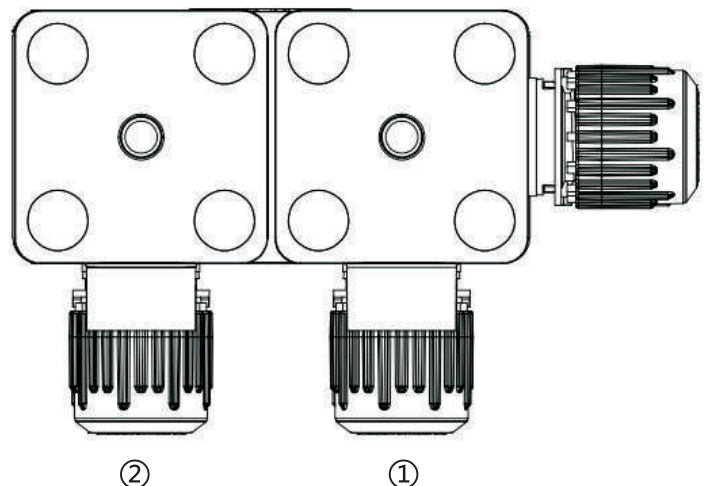
| Size (Inch) | Insert Bushing | | 作用方式 | |
|----------------|----------------|--------------|------|----|
| | PFA-UHP | PFA | ① | ② |
| F 型三通阀 | | | | |
| 1/4 | 313.7622406 | 313.7622406C | NO | NC |
| 1/4 | 313.7632406 | 313.7632406C | NC | NO |
| 1/4 | 313.7642406 | 313.7642406C | NC | NC |
| 1/4 | 313.7652406 | 313.7652406C | NO | NO |

功能描述 Function Description

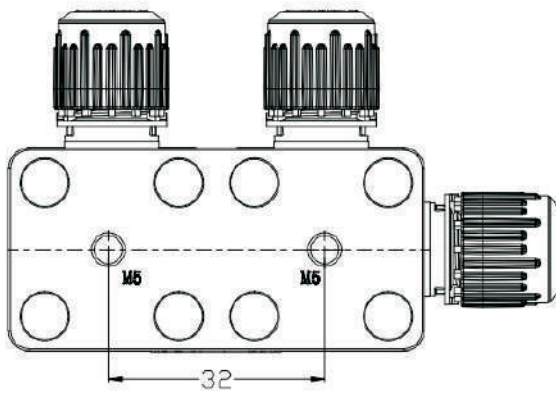
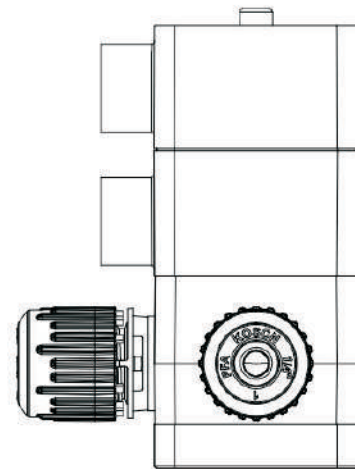
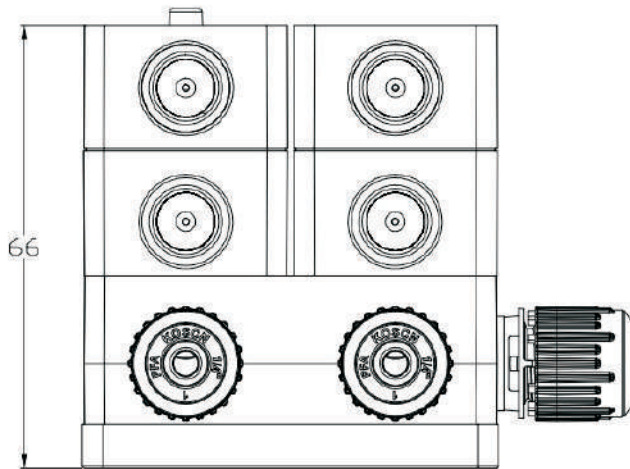
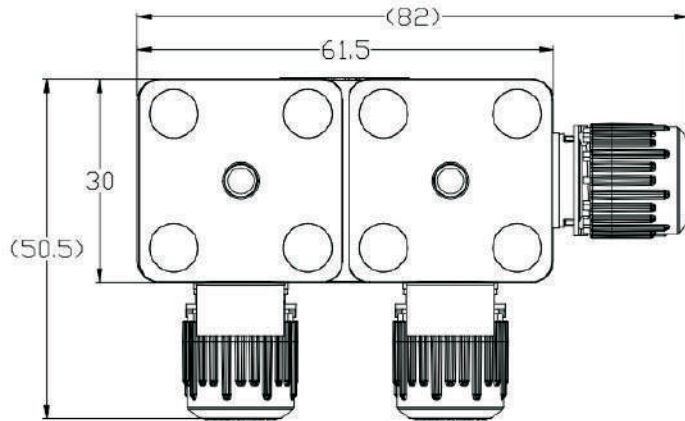
F 型双座三通阀，一进二分，标准阀结构流道。可配置位置反馈传感器

① 阀位：气动切断功能，可选配作用方式

② 阀位：气动切断功能，可选配作用方式

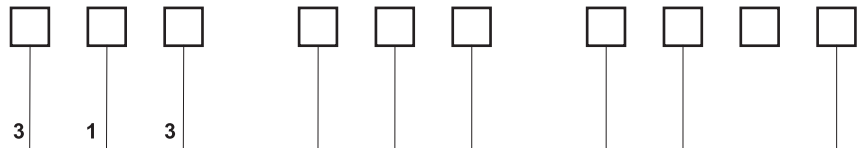


1/4 接管口径 Size



订购代码

DV313 气动三通阀



| | | | | | | | | | |
|-------------|----------------------|--|--|--|---|---|--|--|----|
| 阀体材质 | | | | | | | | | |
| | PVDF | | | | 6 | | | | |
| | PFA | | | | 7 | | | | |
| | PTFE | | | | 8 | | | | |
| 膜片材质 | | | | | | | | | |
| | PTFE | | | | 6 | | | | |
| 作用方式 | | | | | | | | | |
| | 单座T型左通 | | | | 0 | | | | |
| | 单座T型右通 | | | | 1 | | | | |
| | 双座F型NO-NC | | | | 2 | | | | |
| | 双座F型NC-NO | | | | 3 | | | | |
| | 双座F型NC-NC | | | | 4 | | | | |
| | 双座F型NO-NO | | | | 5 | | | | |
| | 双座F型NO-NC (带双手动调节) | | | | 6 | | | | |
| | 双座F型NC-NO (带双手动调节) | | | | 7 | | | | |
| | 双座F型NC-NC (带双手动调节) | | | | 8 | | | | |
| | 双座F型NO-NO (带双手动调节) | | | | 9 | | | | |
| 接口形式 | | | | | | | | | |
| | Flare LINK: PVDF NUT | | | | 0 | | | | |
| | Insert Bushing | | | | 2 | | | | |
| | Flare LINK: PFA NUT | | | | 4 | | | | |
| | Thread | | | | 9 | | | | |
| 接口标准 | | | | | | | | | |
| | ANSI UNF | | | | | 4 | | | |
| | BSP/G | | | | | 6 | | | |
| | NPT | | | | | 8 | | | |
| 接口尺寸 | | | | | | | | | |
| | 1/16" | | | | | | | | 02 |
| | 1/8" | | | | | | | | 03 |
| | 1/4" | | | | | | | | 06 |
| | 3/8" | | | | | | | | 10 |
| | 1/2" | | | | | | | | 12 |
| | 3/4" | | | | | | | | 19 |
| | 1" | | | | | | | | 26 |

**ontact**
customer center
www.koscn.cn



KOSCN