

化学药液阀

DV 310 气动薄膜阀

DV 311 手动薄膜阀



KOSCN Control Valves DV 系列化学药液阀是一款具有优良耐腐蚀性、耐热性、且用途广泛的小型化紧凑型的控制阀。内壁光滑、离子析出性低的特点，特别适合洁净度要求高的场合。而不同的材质可选性更贴近应用场景和应用成本，使之更具性价比优越性。

方便操作和维护

- * 全塑的外观结构，美观且耐腐蚀
- * 小型化设计、安装方便、无需保养
- * UNF 标准的螺纹，适配和互换性更高
- * 安装板尺寸符合 SEMI 标准 F65-1101

高安全性能

- * 符合 FDA 177-1520 / 177-1550 溶出试验要求
- * UHP 的超纯产品符合 SEMI F057 标准
- * 三重密封的阀腔隔膜结构，可有效防止泄漏
- * 曲面的 PTFE 隔膜更具延展性，寿命高
- * 设置有膜片破裂的观察和导流口

高灵活性

- * 接液材质 PTFE、PFA
- * 隔膜材质 PTFE
- * 结构材质 PVDF、PPS、PP-Natural
- * 接口形式 FlareLINK、Insert Bushing
- * 螺母材质 扩口 PVDF、入珠 PFA
- * 驱动方向 先导口可选四个安装方向
- * 自动扩展 气动可扩展手动限位、位置反馈传感器

性能特点

- * 介质压力 0...5 bar
- * 耐受温度 5...160 °C (需对应不同产品和材质的特性选用)
- * 阀体锥形流道和接头一体结构，液体残留量极小，具备不同介质的置换特性
- * 可以在 ≤30 次 / Min 高频场合中使用

应用

- * 光伏
- * 液晶面板
- * HDD 制造
- * 半导体
- * 电镀
- * 集成电路
- * 生物制药
- * 医疗
- * 食品
- * 新材料

技术特性

尺寸	1/4", 3/8", 1/2", 3/4", 1" 1-1/4", 1-1/2"
压力等级	PN 5
阀体	PTFE (聚四氟乙烯) PFA (可溶性聚四氟乙烯)
膜片	PTFE
执行机构	PVDF / PPS / PP-Natural
结构件	PVDF / PPS / PEEK / PP-Natural
接口方式	UNF 标准 Flare LINK 扩口式 Insert Bushing 入珠式
安装固定	SEMI 标准 F65-1101

流通能力

以下流量基于20°C清水介质1bar 压差时数据

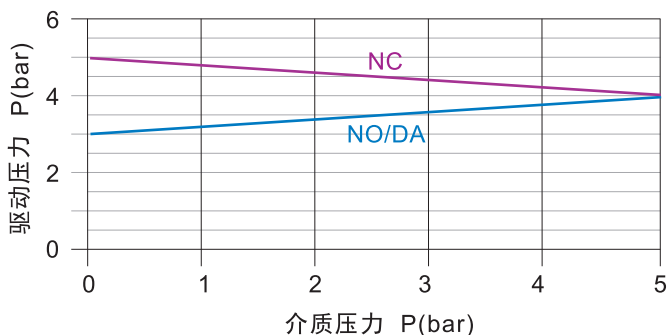
Inch	φ 通径	l/min Kv 100	m ³ /h
1/8"	2	1,00	0,06
1/4"	4	4,70	0,28
3/8"	6	10,00	0,60
1/2"	9	22,00	1,32
3/4"	16	62,00	3,72
1"	22	120,00	7,20
1-1/4"	28	190,00	11,40
1-1/2"	33	340,00	20,40

$$Cv = kv \times 0,07 ; Fv = kv \times 0,0585$$

Kv (l/min) ; Cv (gal/min) US ; Fv (gal/min) GB

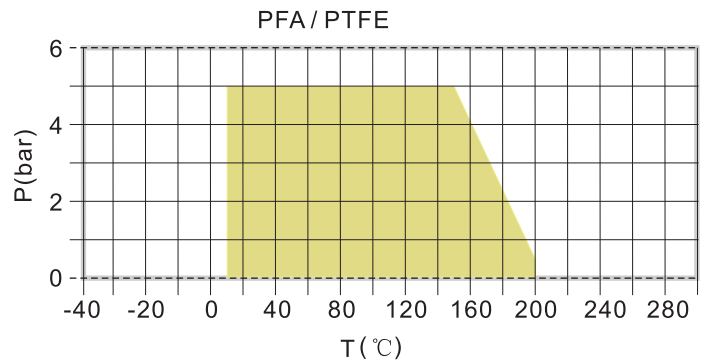
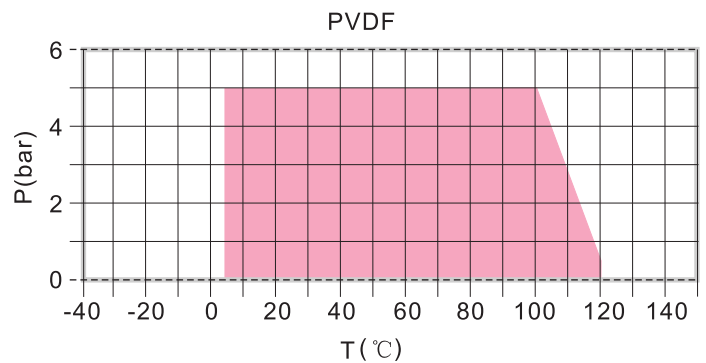
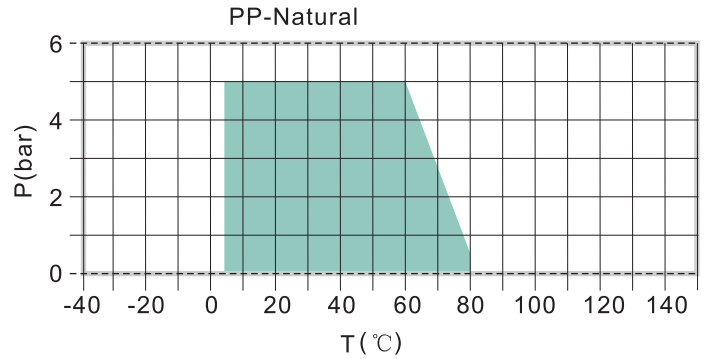
DV310 启闭驱动压力

驱动压力空气的输入值, 最大限制 5 bar



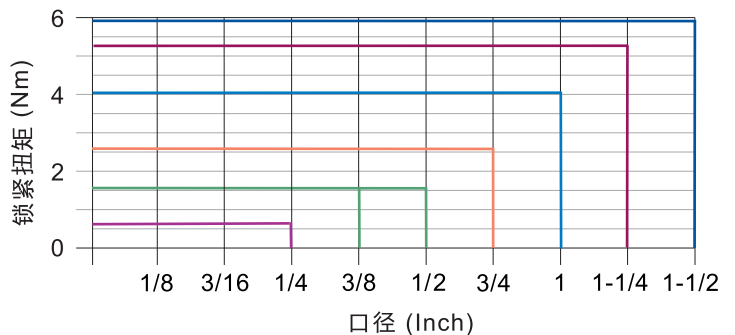
压力/温度曲线

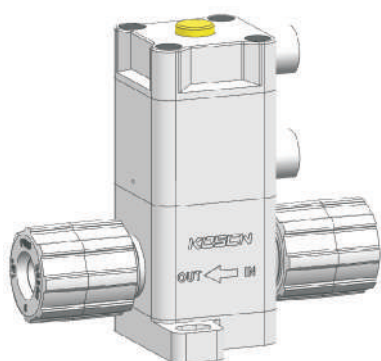
以下温度曲线基于清水类介质及25年寿命 (结构件适用参考)



DV311 启闭保护扭矩

完全关闭需要的最大锁紧力矩, 开启力矩约为关闭的0,8 倍





性能数据 Performance data

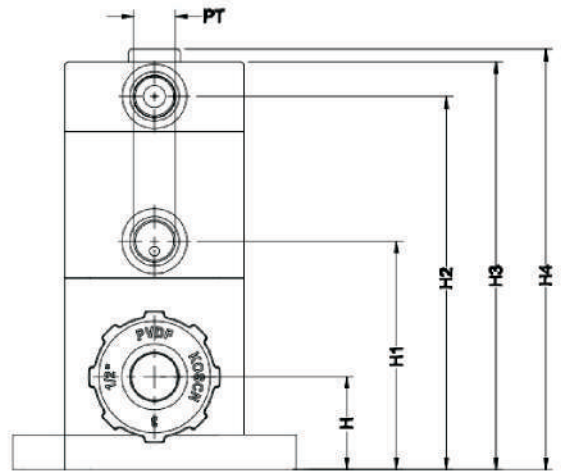
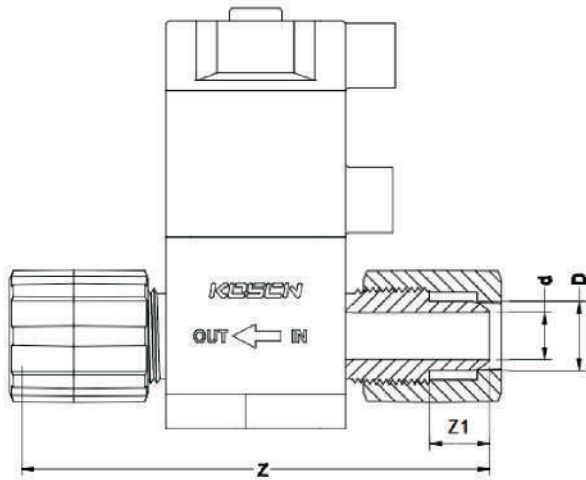
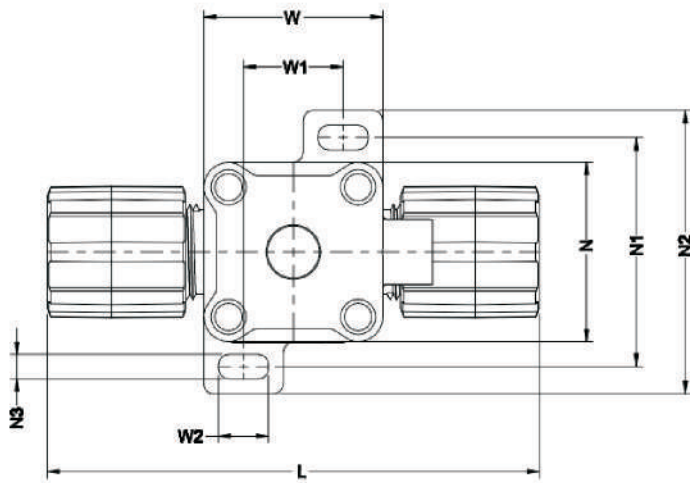
Item	Unit	Data
Service pressure	bar	0...5,0
Backpressure	bar	0...5,0
Leakage rate	cm ³ /min	0 (Based on water pressure)
Operating temperature	°C	5...120 (Excluding HF)
Ambient temperature	°C	0...60
Material	Valve body	PFA
	Diaphragm	PTFE
	Actuating element	PVDF
	Baseplate	PVDF
	Bolt	SS Coating

规格料号 Product code

Size (Inch)	Insert Bushing		Flare LINK	
	PFA-UHP	PFA	PFA-UHP	PFA
气动薄膜阀 NC				
1/8	310.762.2403	310.762.2403C		
1/4MINI	310.762.2406I	310.762.2406IC		
1/4	310.762.2406	310.762.2406C	310.762.0406	310.762.0406C
3/8	310.762.2410	310.762.2410C	310.762.0410	310.762.0410C
1/2	310.762.2412	310.762.2412C	310.762.0412	310.762.0412C
3/4	310.762.2419	310.762.2419C	310.762.0419	310.762.0419C
1	310.762.2426	310.762.2426C	310.762.0426	310.762.0426C
1-1/4	310.762.2431	310.762.2431C		
1-1/2	310.762.2438	310.762.2438C		
气动薄膜阀 NO				
1/8	310.764.2403	310.764.2403C		
1/4MINI	310.764.2406I	310.764.2406IC		
1/4	310.764.2406	310.764.2406C	310.764.0406	310.764.0406C
3/8	310.764.2410	310.764.2410C	310.764.0410	310.764.0410C
1/2	310.764.2412	310.764.2412C	310.764.0412	310.764.0412C
3/4	310.764.2419	310.764.2419C	310.764.0419	310.764.0419C
1	310.764.2426	310.764.2426C	310.764.0426	310.764.0426C
1-1/4	310.764.2431	310.764.2431C		
1-1/2	310.764.2438	310.764.2438C		
气动薄膜阀 DA				
1/8	310.766.2403	310.766.2403C		
1/4MINI	310.766.2406I	310.766.2406IC		
1/4	310.766.2406	310.766.2406C	310.766.0406	310.766.0406C
3/8	310.766.2410	310.766.2410C	310.766.0410	310.766.0410C
1/2	310.766.2412	310.766.2412C	310.766.0412	310.766.0412C
3/4	310.766.2419	310.766.2419C	310.766.0419	310.766.0419C
1	310.766.2426	310.766.2426C	310.766.0426	310.766.0426C
1-1/4	310.766.2431	310.766.2431C		
1-1/2	310.766.2438	310.766.2438C		

Flare LINK 默认配置PVDF NUT, 如需 PFA 材质, 详见尾页代码表

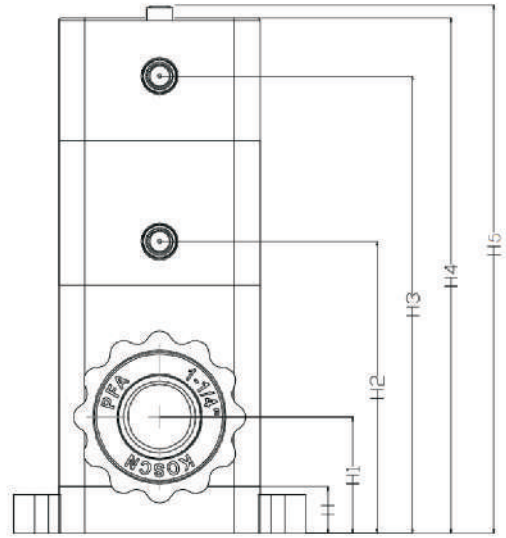
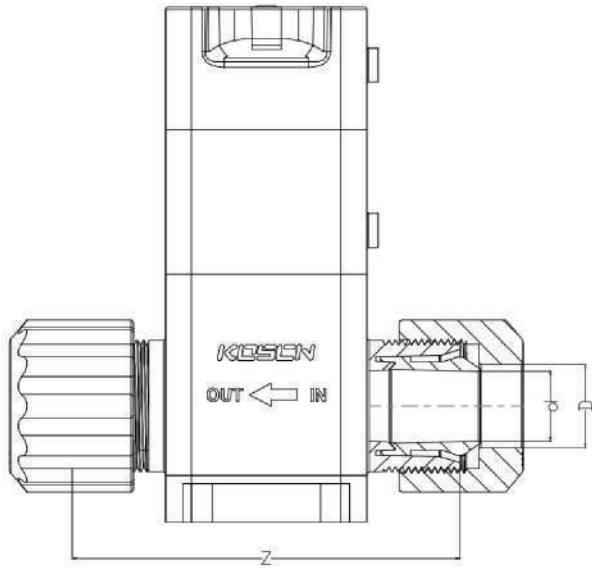
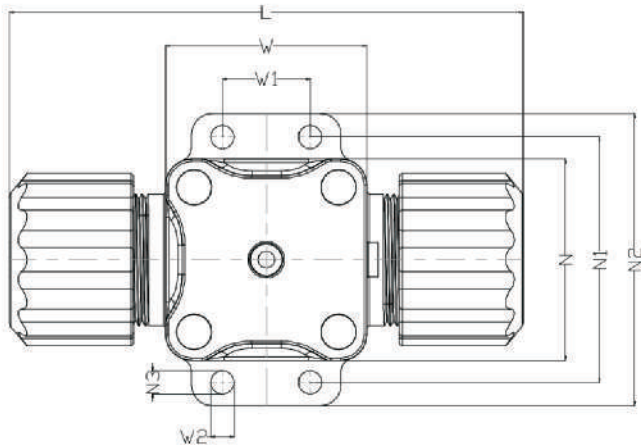
DV310 , 标准型气动薄膜阀 , SIZE



Unit: mm

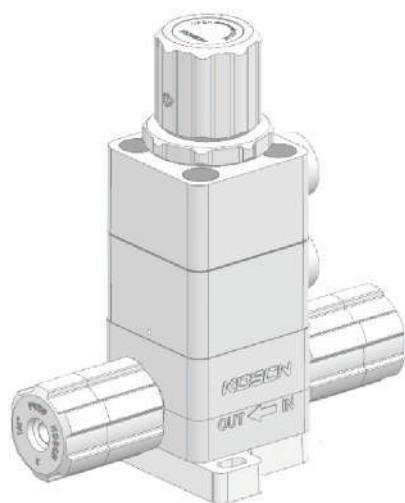
Inch	D	d	PT	H	H1	H2	H3	H4	N	N1	N2	N3	W	W1	W2	L	Z	Z1
1/8	3,2	2,0	1/8	16,5	39	54	62	64	25	33,0	39	3,5	25	13,0	6,0	54,0	47,5	-
1/4MINI	7,7	4,0	1/8	16,5	39	54	62	64	25	33,0	39	3,5	25	13,0	6,0	63,5	53,0	-
1/4	7,7	4,0	1/8	15,5	37	55	64	67	30	37,0	44	3,7	30	18,0	6,0	86,0	81,5	11,0
3/8	10,5	6,4	1/8	21,0	48	78	85	88	37	49,0	61	6,5	37	21,5	10,0	94,5	89,5	13,5
1/2	13,9	9,5	1/8	21,0	48	78	85	88	37	49,0	61	6,5	37	21,5	10,0	98,5	92,5	15,0
3/4	20,5	15,9	1/8	27,0	60	92	106	110	47	63,5	82	9,0	47	24,5	14,0	121,0	114,2	15,0
1	29,0	22,2	1/8	35,0	75	117	126	131	60	77,5	96	9,0	60	34,5	14,0	150,0	139,8	16,5

DV310 , 大口径气动薄膜阀 , SIZE



Unit: mm

Inch	D	d	PT	H	H1	H2	H3	H4	H5	N	N1	N2	N3	W	W1	W2	L	Z
1-1/4	32,0	28,0	1/8	18,0	45,0	113	177	199	205	75	92	110	9,0	75	34,5	9,0	199	150
1-1/2	39,0	33,7	1/8	24,0	59,0	155	259	295	305	120	145	170	9,0	120	65,0	9,0	240	195
40A																		
50A																		



性能数据 Performance data

Item	Unit	Data
Service pressure	bar	0...5,0
Backpressure	bar	0...5,0
Leakage rate	cm ³ /min	0 (Based on water pressure)
Operating temperature	°C	5...120 (Excluding HF)
Ambient temperature	°C	0...60
Material	Valve body	PFA
	Diaphragm	PTFE
	Actuating element	PVDF
	Baseplate	PVDF
	Bolt	SS Coating

规格料号 Product code

Size (Inch)	Insert Bushing		Flare LINK	
	PFA-UHP	PFA	PFA-UHP	PFA

气动薄膜阀 NC , 手自一体型 Manual Limit-UP

1/8				
1/4MINI				
1/4	310.763.2406	310.763.2406C	310.763.0406	310.763.0406C
3/8	310.763.2410	310.763.2410C	310.763.0410	310.763.0410C
1/2	310.763.2412	310.763.2412C	310.763.0412	310.763.0412C
3/4	310.763.2419	310.763.2419C	310.763.0419	310.763.0419C
1	310.763.2426	310.763.2426C	310.763.0426	310.763.0426C
1-1/4				
1-1/2				

气动薄膜阀 NO , 手自一体型 Manual Limit-UP

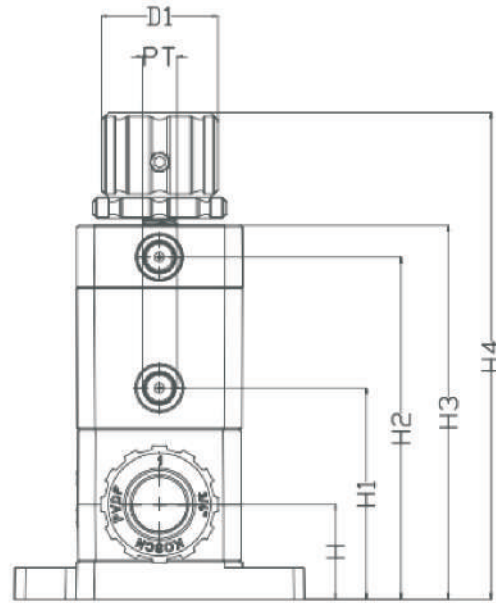
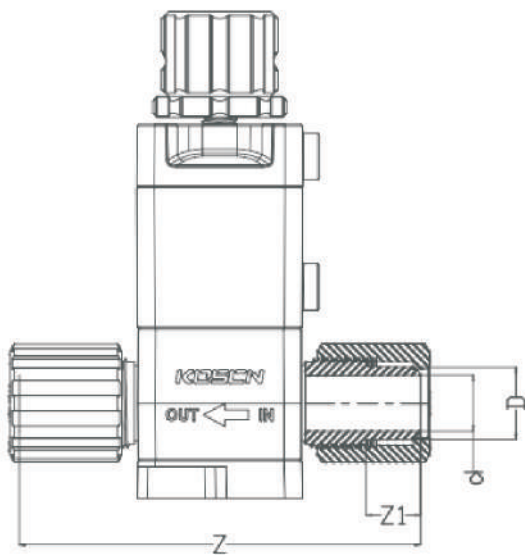
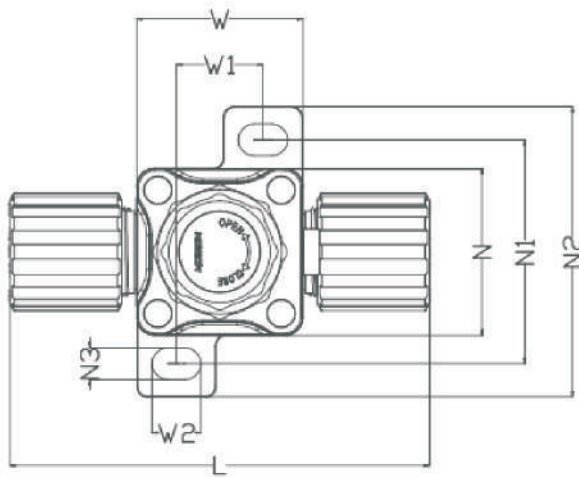
1/8				
1/4MINI				
1/4	310.765.2406	310.765.2406C	310.765.0406	310.765.0406C
3/8	310.765.2410	310.765.2410C	310.765.0410	310.765.0410C
1/2	310.765.2412	310.765.2412C	310.765.0412	310.765.0412C
3/4	310.765.2419	310.765.2419C	310.765.0419	310.765.0419C
1	310.765.2426	310.765.2426C	310.765.0426	310.765.0426C
1-1/4				
1-1/2				

气动薄膜阀 DA , 手自一体型 Manual Limit-UP

1/8				
1/4MINI				
1/4	310.767.2406	310.767.2406C	310.767.0406	310.767.0406C
3/8	310.767.2410	310.767.2410C	310.767.0410	310.767.0410C
1/2	310.767.2412	310.767.2412C	310.767.0412	310.767.0412C
3/4	310.767.2419	310.767.2419C	310.767.0419	310.767.0419C
1	310.767.2426	310.767.2426C	310.767.0426	310.767.0426C
1-1/4				
1-1/2				

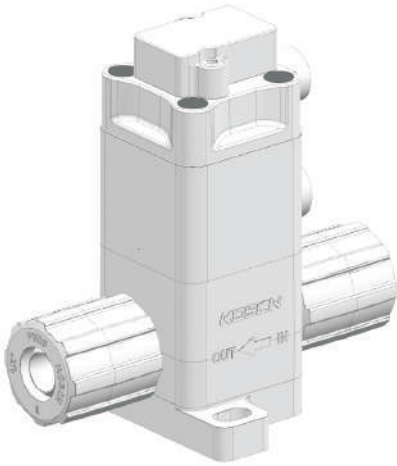
Flare LINK 默认配置PVDF NUT, 如需PFA材质, 详见尾页代码表

DV310, 手自一体气动薄膜阀, SIZE



Unit: mm

Inch	D	d	PT	H	H1	H2	H3	H4	N	N1	N2	N3	W	W1	W2	L	Z	D1
1/8																		
3/16																		
1/4	7,7	4,0	1/8	15,5	37	55	64	91	30	37,0	44	3,7	30	18,0	6	86,0	81,5	21
3/8	10,5	6,4	1/8	21,0	48	78	85	109	37	49,0	61	6,5	37	21,5	10	94,5	89,5	25
1/2	13,9	9,5	1/8	21,0	48	78	85	109	37	49,0	61	6,5	37	21,5	10	98,5	92,5	25
3/4	20,5	15,9	1/8	27,0	60	92	106	138	47	63,5	82	9,0	47	24,5	14	121,0	114,2	33
1	29,0	22,2	1/8	35,0	75	117	126	157	60	77,5	96	9,0	60	34,5	14	150,0	139,8	57
1-1/4																		
1-1/2																		



性能数据 Performance data

Item	Unit	Data	
Service pressure	bar	0...5,0	
Backpressure	bar	0...5,0	
Leakage rate	cm ³ /min	0 (Based on water pressure)	
Operating temperature	°C	5...120 (Excluding HF)	
Ambient temperature	°C	0...50	
Switch	Rated voltage	VDC	24
	Model		NPN (PNP is optional)
	Cable length	M	1,0
	Class of protection		Cover plate

规格料号 Product code

Size (Inch)	Insert Bushing		Flare LINK	
	PFA-UHP	PFA	PFA-UHP	PFA

气动薄膜阀 NC , 位置反馈 Optoelectronic Switch

1/8				
1/4MINI				
1/4	310.762.2406A1	310.762.2406CA1	310.762.0406A1	310.762.0406CA1
3/8	310.762.2410A1	310.762.2410CA1	310.762.0410A1	310.762.0410CA1
1/2	310.762.2412A1	310.762.2412CA1	310.762.0412A1	310.762.0412CA1
3/4	310.762.2419A1	310.762.2419CA1	310.762.0419A1	310.762.0419CA1
1	310.762.2426A1	310.762.2426CA1	310.762.0426A1	310.762.0426CA1

气动薄膜阀 NO , 位置反馈 Optoelectronic Switch

1/8				
1/4MINI				
1/4	310.764.2406A1	310.764.2406CA1	310.764.0406A1	310.764.0406CA1
3/8	310.764.2410A1	310.764.2410CA1	310.764.0410A1	310.764.0410CA1
1/2	310.764.2412A1	310.764.2412CA1	310.764.0412A1	310.764.0412CA1
3/4	310.764.2419A1	310.764.2419CA1	310.764.0419A1	310.764.0419CA1
1	310.764.2426A1	310.764.2426CA1	310.764.0426A1	310.764.0426CA1

气动薄膜阀 DA , 位置反馈 Optoelectronic Switch

1/8				
1/4MINI				
1/4	310.766.2406A1	310.766.2406CA1	310.766.0406A1	310.766.0406CA1
3/8	310.766.2410A1	310.766.2410CA1	310.766.0410A1	310.766.0410CA1
1/2	310.766.2412A1	310.766.2412CA1	310.766.0412A1	310.766.0412CA1
3/4	310.766.2419A1	310.766.2419CA1	310.766.0419A1	310.766.0419CA1
1	310.766.2426A1	310.766.2426CA1	310.766.0426A1	310.766.0426CA1

Flare LINK 默认配置PVDF NUT, 如需 PFA 材质, 详见尾页代码表
可配置 5...160°C 高温款产品

性能数据 Performance data

<i>Item</i>	<i>Unit</i>	<i>Data</i>
Service pressure	bar	0...5,0
Backpressure	bar	0...5,0
Leakage rate	cm ³ /min	0 (Based on water pressure)
Operating temperature	°C	5...120 (Excluding HF)
Ambient temperature	°C	0...50
Switch	Rated voltage	VDC
	Model	PNP (NPN is optional)
	Cable connection	Plug
	Class of protection	IP 67

规格料号 Product code

<i>Size (Inch)</i>	<i>Insert Bushing</i>		<i>Flare LINK</i>	
	<i>PFA-UHP</i>	<i>PFA</i>	<i>PFA-UHP</i>	<i>PFA</i>

气动薄膜阀 NC , 位置反馈 Limit Switch

3/4	310.762.2419A2	310.762.2419CA2	310.762.0419A2	310.762.0419CA2
1	310.762.2426A2	310.762.2426CA2	310.762.0426A2	310.762.0426CA2
1-1/4	310.762.2431A2	310.762.2431CA2	310.762.0431A2	310.762.0431CA2
1-1/2	310.762.2438A2	310.762.2438CA2	310.762.0438A2	310.762.0438CA2

气动薄膜阀 NO , 位置反馈 Limit Switch

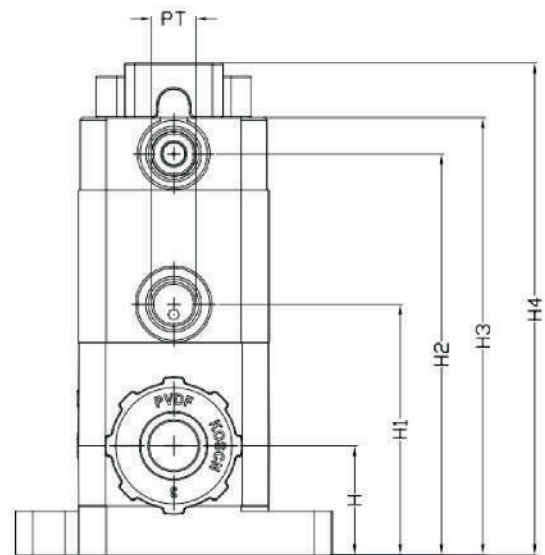
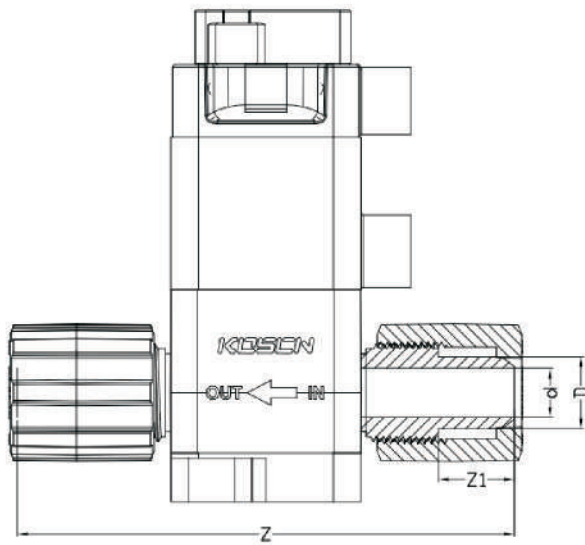
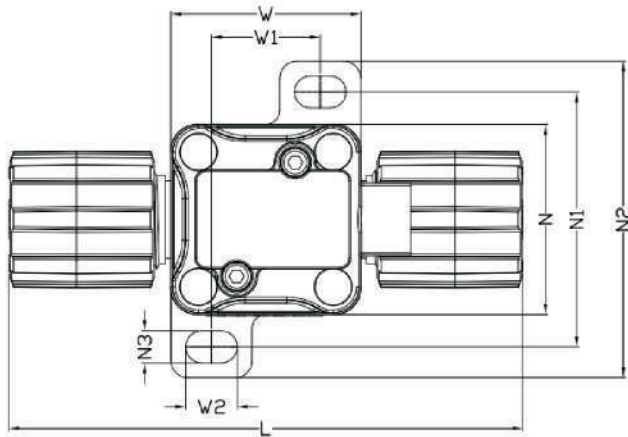
3/4	310.764.2419A2	310.764.2419CA2	310.764.0419A2	310.764.0419CA2
1	310.764.2426A2	310.764.2426CA2	310.764.0426A2	310.764.0426CA2
1-1/4	310.764.2431A2	310.764.2431CA2	310.764.0431A2	310.764.0431CA2
1-1/2	310.764.2438A2	310.764.2438CA2	310.764.0438A2	310.764.0438CA2

气动薄膜阀 DA , 位置反馈 Limit Switch

3/4	310.766.2419A2	310.766.2419CA2	310.766.0419A2	310.766.0419CA2
1	310.766.2426A2	310.766.2426CA2	310.766.0426A2	310.766.0426CA2
1-1/4	310.766.2431A2	310.766.2431CA2	310.766.0431A2	310.766.0431CA2
1-1/2	310.766.2438A2	310.766.2438CA2	310.766.0438A2	310.766.0438CA2

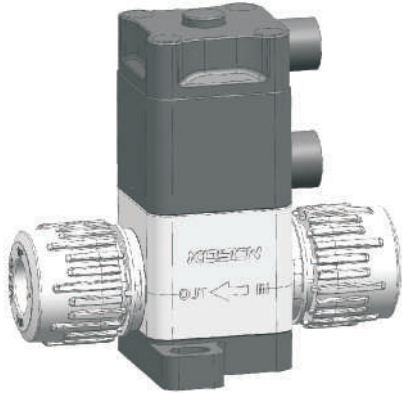
Flare LINK 默认配置PVDF NUT, 如需 PFA 材质, 详见尾页代码表

DV310, 反馈型气动薄膜阀, SIZE



Unit: mm

Inch	D	d	PT	H	H1	H2	H3	H4	N	N1	N2	N3	W	W1	W2	L	Z
1/8																	
3/16																	
1/4	7,7	4,0	1/8	15,5	37	55	64	76	30	37,0	44	3,7	30	18,0	6	86,0	81,5
3/8	10,5	6,4	1/8	21,0	48	78	85	95	37	49,0	61	6,5	37	21,5	10	94,5	89,5
1/2	13,9	9,5	1/8	21,0	48	78	85	95	37	49,0	61	6,5	37	21,5	10	98,5	92,5
3/4	20,5	15,9	1/8	27,0	60	92	106	117	47	63,5	82	9,0	47	24,5	14	121,0	114,2
1	29,0	22,2	1/8	35,0	75	117	126	137	60	77,5	96	9,0	60	34,5	14	150,0	139,8
1-1/4																	
1-1/2																	



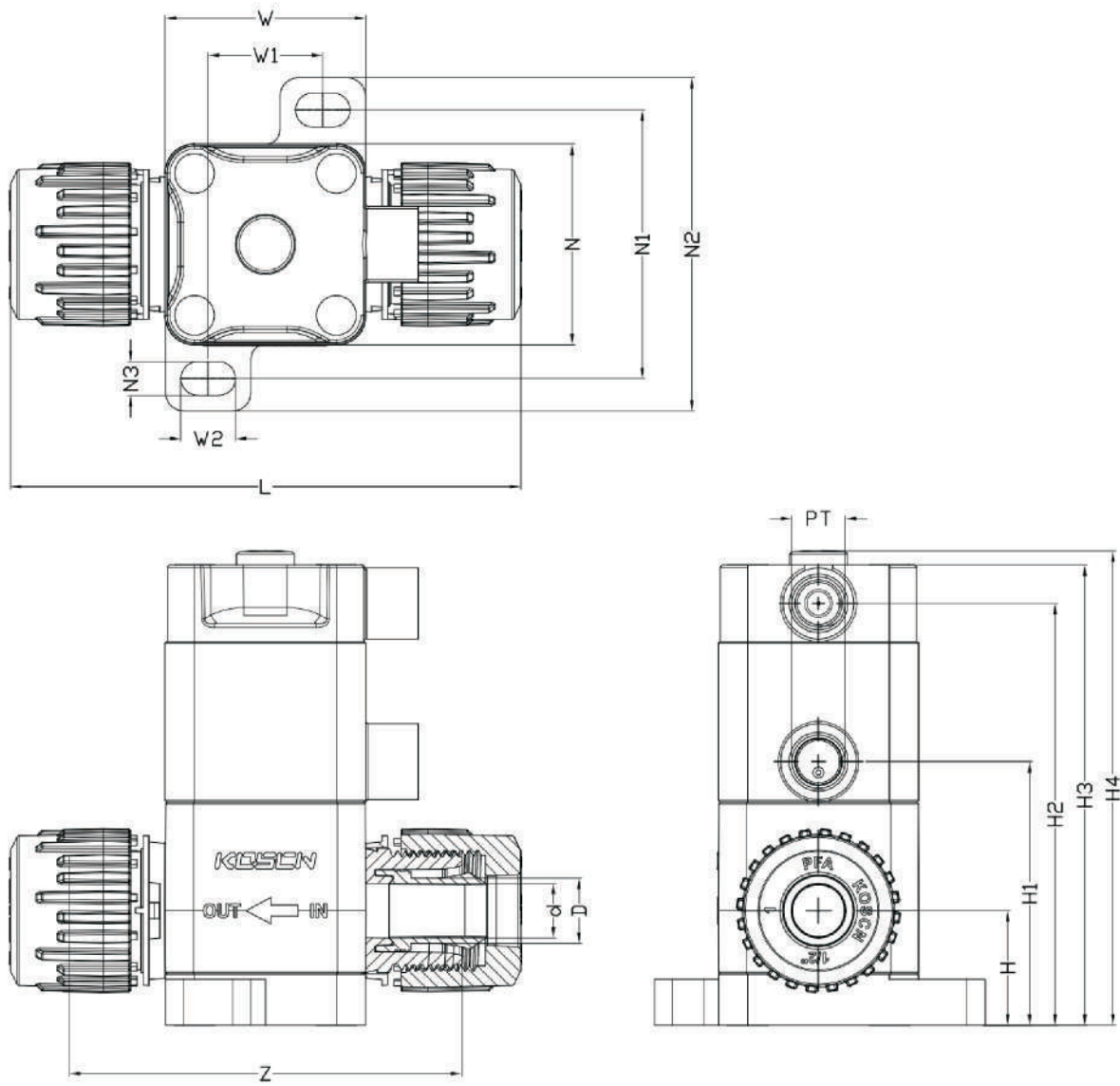
性能数据 Performance data

Item	Unit	Data
Service pressure	bar	0...3,0
Backpressure	bar	0...1,0
Leakage rate	cm ³ /min	0 (Based on water pressure)
Operating temperature	°C	5...160 (Excluding HF)
Ambient temperature	°C	0...60
Material	Valve body	PFA
	Diaphragm	PTFE
	Actuating element	PPS
	Baseplate	PPS
	Bolt	SS Coating

规格料号 Product code

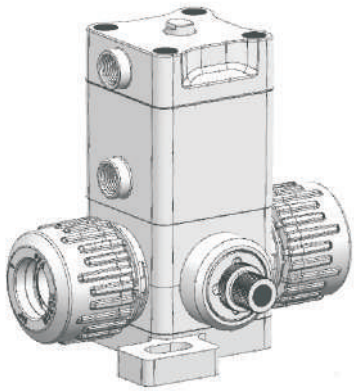
Size (Inch)	PFA-UHP Insert Bushing		
	NC	NO	DA
气动高温薄膜阀			
1/8			
1/4MINI			
1/4	310.762.2406 H	310.764.2406 H	310.766.2406 H
3/8	310.762.2410 H	310.764.2410 H	310.766.2410 H
1/2	310.762.2412 H	310.764.2412 H	310.766.2412 H
3/4	310.762.2419 H	310.764.2419 H	310.766.2419 H
1	310.762.2426 H	310.764.2426 H	310.766.2426 H
手自一体高温薄膜阀			
1/4	310.763.2406 H	310.765.2406 H	310.767.2406 H
3/8	310.763.2410 H	310.765.2410 H	310.767.2410 H
1/2	310.763.2412 H	310.765.2412 H	310.767.2412 H
3/4	310.763.2419 H	310.765.2419 H	310.767.2419 H
1	310.763.2426 H	310.765.2426 H	310.767.2426 H

DV310 , 高温型气动薄膜阀 , SIZE



Unit: mm

Inch	D	d	PT	H	H1	H2	H3	H4	N	N1	N2	N3	W	W1	W2	L	Z
1/8																	
3/16																	
1/4	7,7	4,0	1/8	15,5	37	55	64	67	30	37,0	44	3,7	30	18,0	6	69	53,0
3/8	10,5	6,4	1/8	21,0	48	78	85	88	37	49,0	61	6,5	37	21,5	10	87	68,5
1/2	13,9	9,5	1/8	21,0	48	78	85	88	37	49,0	61	6,5	37	21,5	10	94	72,0
3/4	20,5	15,9	1/8	27,0	60	92	106	110	47	63,5	82	9,0	47	24,5	14	117	89,0
1	29,0	22,2	1/8	35,0	75	117	126	131	60	77,5	96	9,0	60	34,5	14	146	115,0
1-1/4																	
1-1/2																	

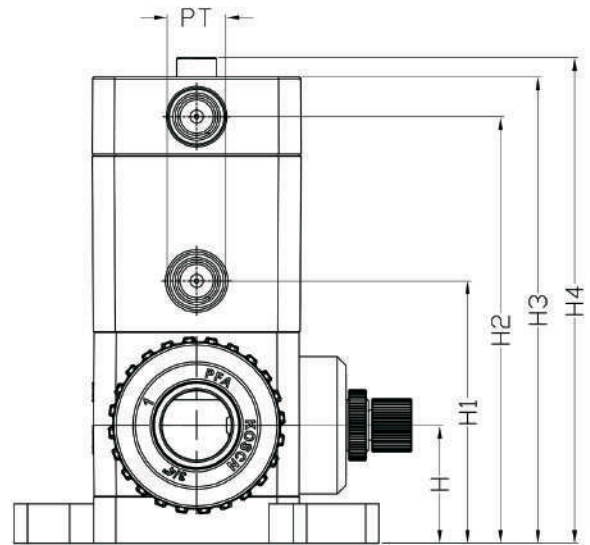
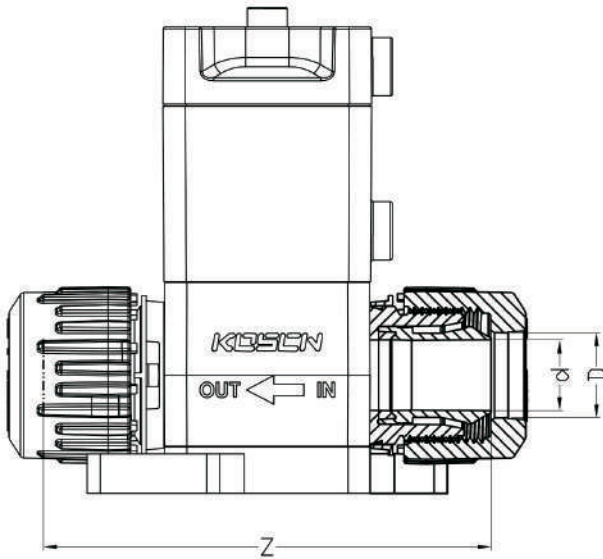
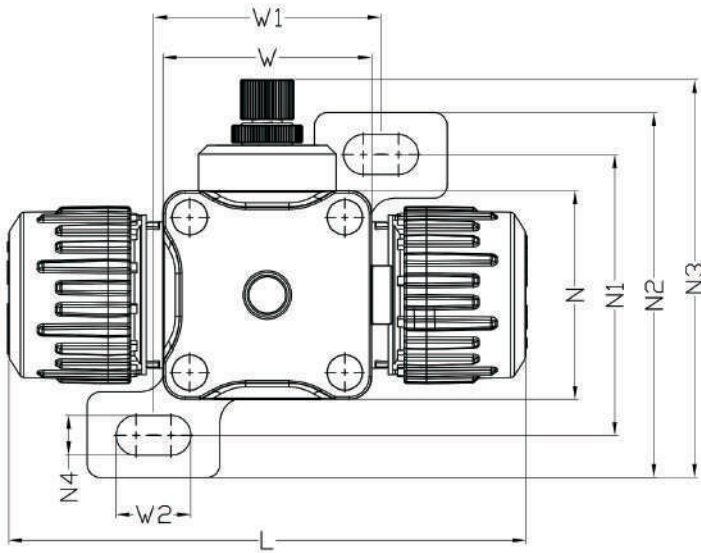


性能数据 Performance data

Item	Unit	Data
Service pressure	bar	0...5,0
Backpressure	bar	0...5,0
Leakage rate	cm ³ /min	0 (Based on water pressure)
Operating temperature	°C	5...120
Ambient temperature	°C	0...60
Material	Valve body	PFA
	Diaphragm	PTFE
	Actuating element	PVDF
	Baseplate	PVDF
	Bolt	SS Coating

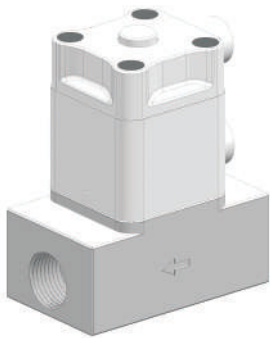
规格料号 Product code

Size (Inch)	PFA-UHP Insert Bushing		
	NC	NO	DA
气动恒流阀			
1/4	310.762.2406 M	310.764.2406 M	310.766.2406 M
3/8	310.762.2410 M	310.764.2410 M	310.766.2410 M
1/2	310.762.2412 M	310.764.2412 M	310.766.2412 M
3/4	310.762.2419 M	310.764.2419 M	310.766.2419 M
1	310.762.2426 M	310.764.2426 M	310.766.2426 M
手自一体恒流阀			
1/4	310.763.2406 M	310.765.2406 M	310.767.2406 M
3/8	310.763.2410 M	310.765.2410 M	310.767.2410 M
1/2	310.763.2412 M	310.765.2412 M	310.767.2412 M
3/4	310.763.2419 M	310.765.2419 M	310.767.2419 M
1	310.763.2426 M	310.765.2426 M	310.767.2426 M



Unit: mm

Inch	D	d	PT	H	H1	H2	H3	H4	N	N1	N2	N3	N4	W	W1	W2	L	Z
1/4	7,7	4,0	1/8	21,0	48	78	85	88	37	49,0	64,0	72	6,5	37	21,5	10	75	65,0
3/8	10,5	6,4	1/8	21,0	48	78	85	88	37	49,0	64,0	72	6,5	37	21,5	10	87	68,5
1/2	13,9	9,5	1/8	21,0	48	78	85	88	37	49,0	64,0	72	6,5	37	21,5	10	94	72,0
3/4	20,5	15,9	1/8	27,0	60	92	106	110	47	63,5	82,5	90	9,0	47	24,5	14	117	89,0
1	29,0	22,2	1/8	35,0	75	117	126	131	60	80,0	100,0	113	9,0	60	34,5	14	146	115,0

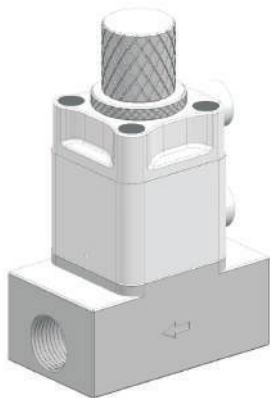


性能数据 Performance data

Item	Unit	Data
Service pressure	bar	0...5,0
Backpressure	bar	0...5,0
Leakage rate	cm ³ /min	0 (Based on water pressure)
Operating temperature	°C	5...120
Ambient temperature	°C	0...60
Material	Valve body	SUS316L
	Diaphragm	PTFE
	Actuating element	PVDF
	Bolt	SS Coating

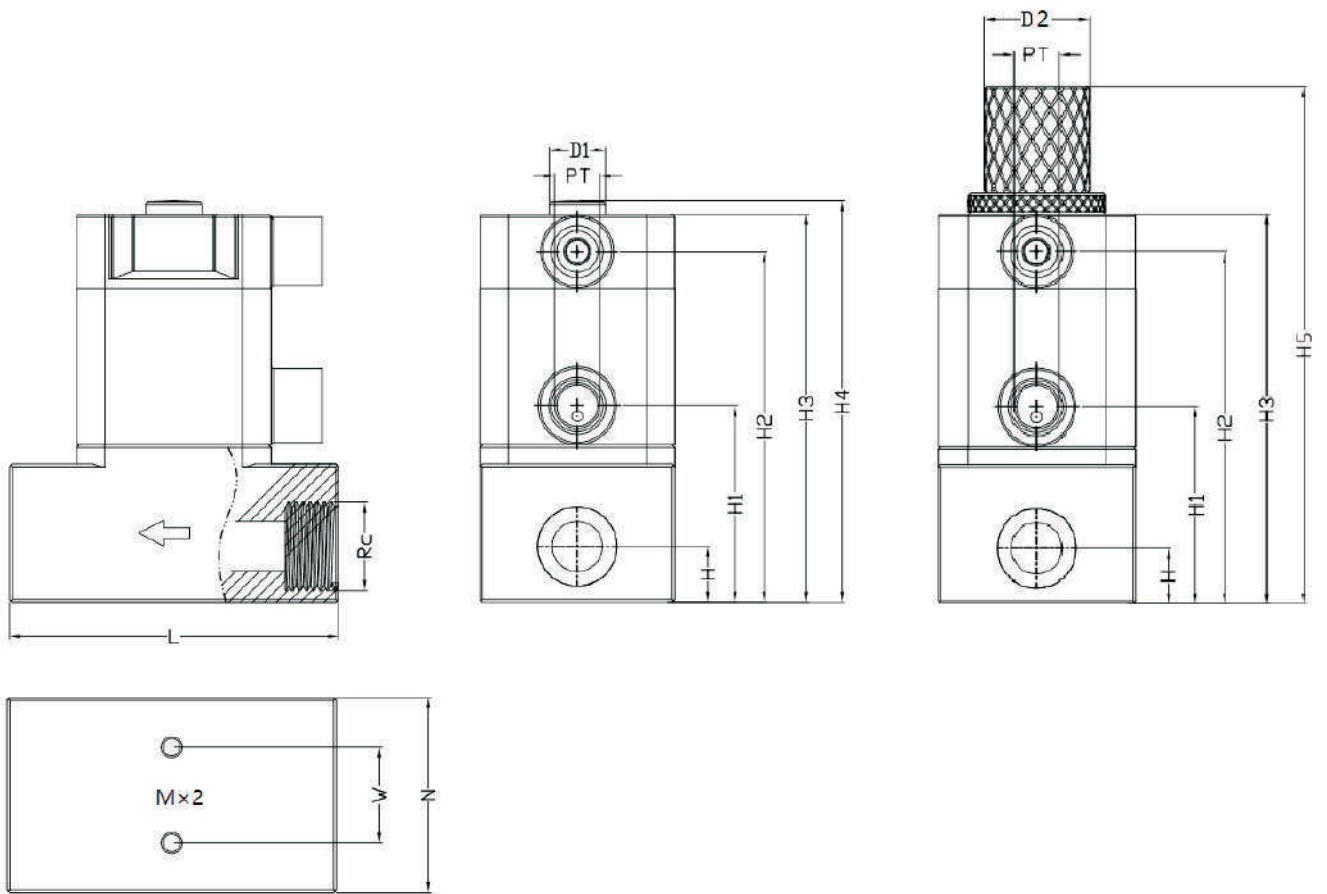
规格料号 Product code

Size (Inch)	Adaptor Thread Rc	Card sleeve ANSI	Butt Welding ANSI
气动薄膜阀 NC			
1/4	310.972.9906	310.972.6406	310.972.5406
3/8	310.972.9910	310.972.6410	310.972.5410
气动薄膜阀 NO			
1/4	310.974.9906	310.974.6406	310.974.5406
3/8	310.974.9910	310.974.6410	310.974.5410
气动薄膜阀 DA			
1/4	310.976.9906	310.976.6406	310.976.5406
3/8	310.976.9910	310.976.6410	310.976.5410



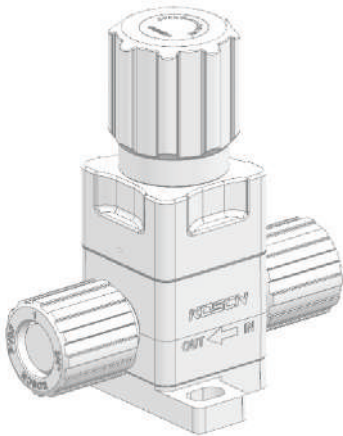
规格料号 Product code

Size (Inch)	Adaptor Thread Rc	Card sleeve ANSI	Butt Welding ANSI
气动薄膜阀 NC, 手自一体型 Manual Limit-DOWN			
1/4	310.973.9906X		
3/8	310.973.9910X		
气动薄膜阀 NO, 手自一体型 Manual Limit-DOWN			
1/4	310.975.9906X		
3/8	310.975.9910X		
气动薄膜阀 DA, 手自一体型 Manual Limit-DOWN			
1/4	310.977.9906X		
3/8	310.977.9910X		



Unit: mm

Inch	D1	D2	PT	H	H1	H2	H3	H4	H5	N	W	M	L
1/16													
1/8													
1/4	9	20	1/8	10	37	66	73	76	99	32	13	4	62
3/8	9	20	1/8	10	37	66	73	76	99	32	13	4	62



性能数据 Performance data

Item	Unit	Data
Service pressure	bar	0...5,0
Backpressure	bar	0...3,0
Leakage rate	cm ³ /min	0 (Based on water pressure)
Operating temperature	°C	5...60
Ambient temperature	°C	0...60
Material	Valve body	PFA
	Diaphragm	PTFE
	Actuating element	PP-Natural
	Baseplate	PVDF
	Bolt	SS Coating

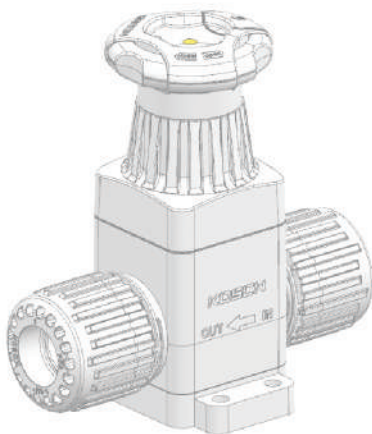
规格料号 Product code

Size (Inch)	Insert Bushing		Flare LINK	
	PFA-UHP	PFA	PFA-UHP	PFA

标准型 Standard

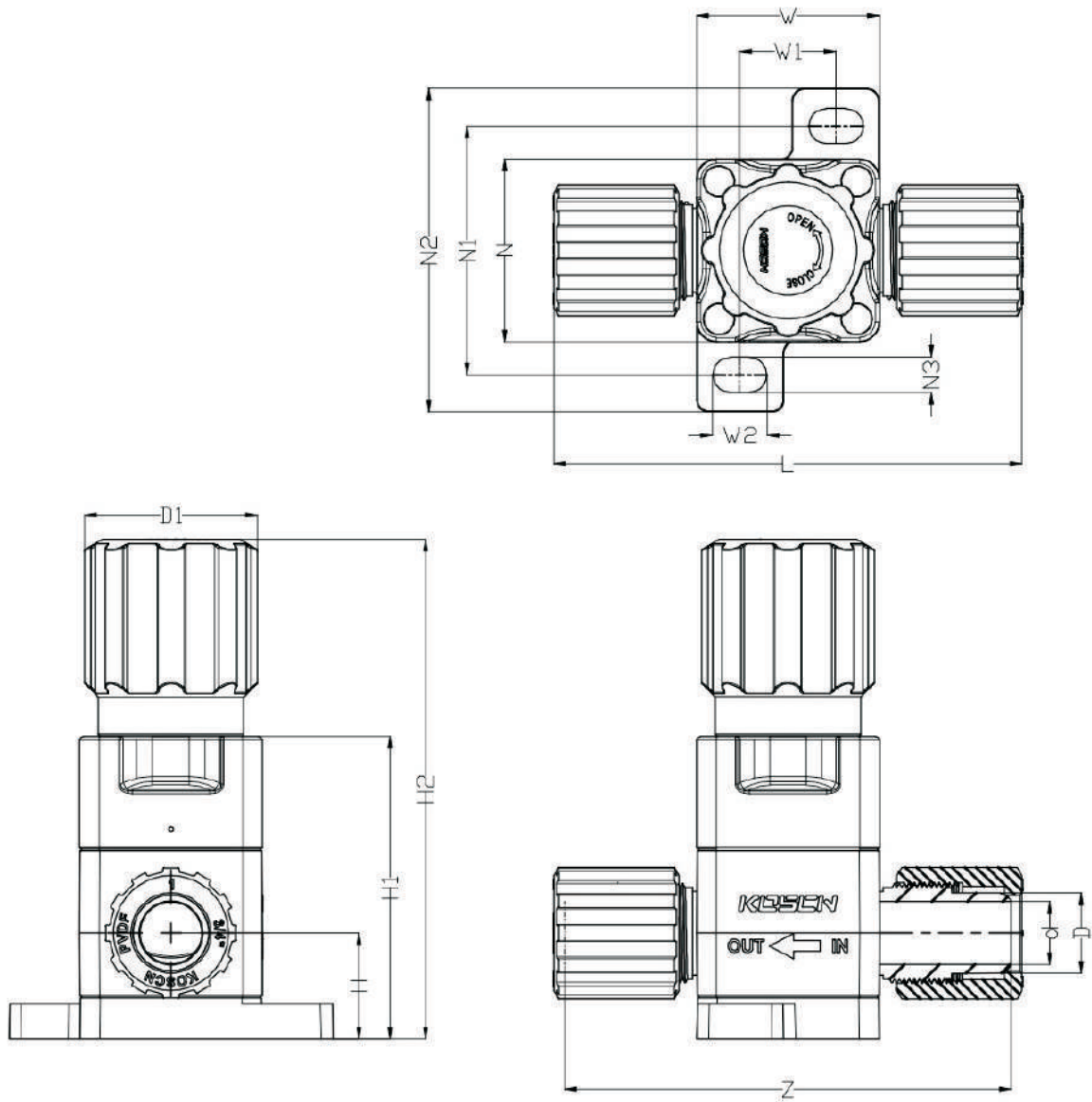
1/8				
1/4MINI				
1/4	311.760.2406	311.760.2406C	311.760.0406	311.760.0406C
3/8	311.760.2410	311.760.2410C	311.760.0410	311.760.0410C
1/2	311.760.2412	311.760.2412C	311.760.0412	311.760.0412C
3/4	311.760.2419	311.760.2419C	311.760.0419	311.760.0419C
1	311.760.2426	311.760.2426C	311.760.0426	311.760.0426C

Flare LINK 默认配置PVDF NUT, 如需 PFA 材质, 详见尾页代码表
1/4...1 可提供 5...160°C 高温款产品



大口径 Large size

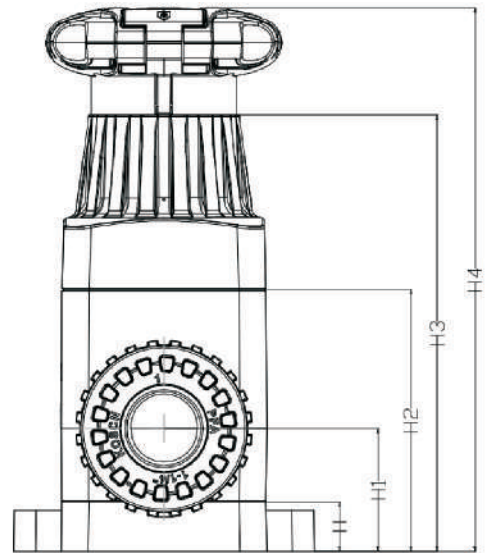
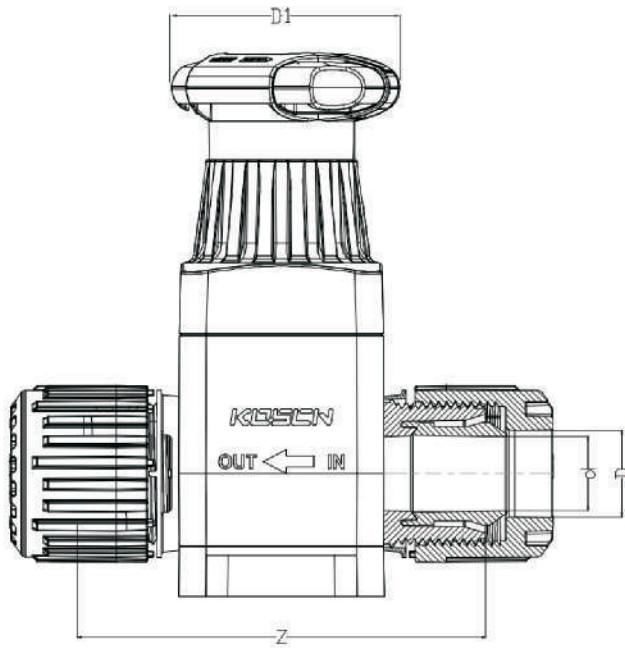
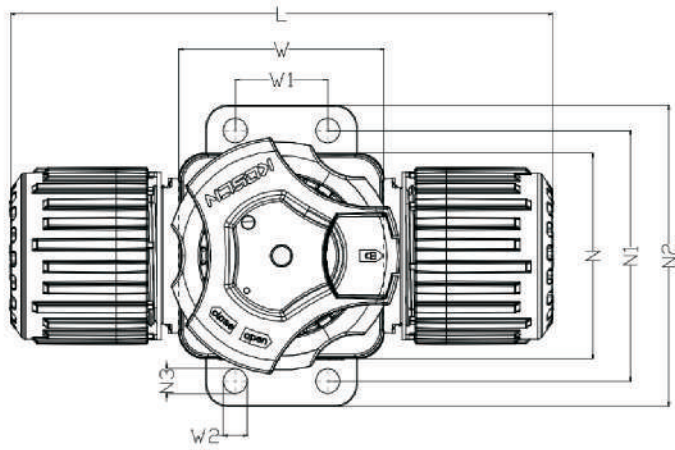
1-1/4	311.760.2431	311.760.2431C		
1-1/2	311.760.2438	311.760.2438C		
40A				
50A				



Unit: mm

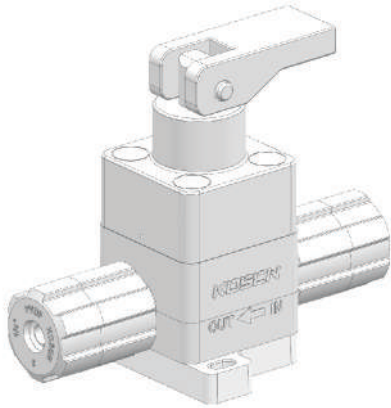
Inch	D	d	D1	H	H1	H2	N	N1	N2	N3	W	W1	W2	L	Z
1/8															
1/4 MINI															
1/4	7,7	4,0	25	15,5	47	81	30	37,0	44	3,7	30	18,0	6	86,0	81,8
3/8	10,5	6,4	33	21,0	66	105	37	49,0	61	6,5	37	21,5	10	94,5	89,5
1/2	13,9	9,5	33	21,0	66	105	37	49,0	61	6,5	37	21,5	10	98,5	92,5
3/4	20,5	15,9	44	27,0	82	136	47	63,5	82	9,0	47	24,5	14	121,0	114,2
1	29,0	22,2	57	35,0	97	159	60	77,5	96	9,0	60	34,5	14	150,0	139,8

DV311, 大口径手动薄膜阀, SIZE



Unit: mm

Inch	D	d	D1	H	H1	H2	H3	H4	N	N1	N2	N3	W	W1	W2	L	Z
1-1/4	32,0	28,0	54	18,0	45	96	160	200	75	92	110	9,0	75	34,5	9,0	199	150
1-1/2	39,0	33,7	69	24,0	59	129	223	273	120	145	170	9,0	120	65,0	9,0	240	195
40A																	
50A																	



性能数据 Performance data

Item	Unit	Data
Service pressure	bar	0...5,0
Backpressure	bar	0...3,0
Leakage rate	cm ³ /min	0 (Based on water pressure)
Operating temperature	°C	5...60
Ambient temperature	°C	0...60
Material	Valve body	PFA
	Diaphragm	PTFE
	Actuating element	PP-Natural
	Baseplate	PVDF
	Bolt	SS Coating

规格料号 Product code

Size (Inch)	Insert Bushing		Flare LINK	
	PFA-UHP	PFA	PFA-UHP	PFA

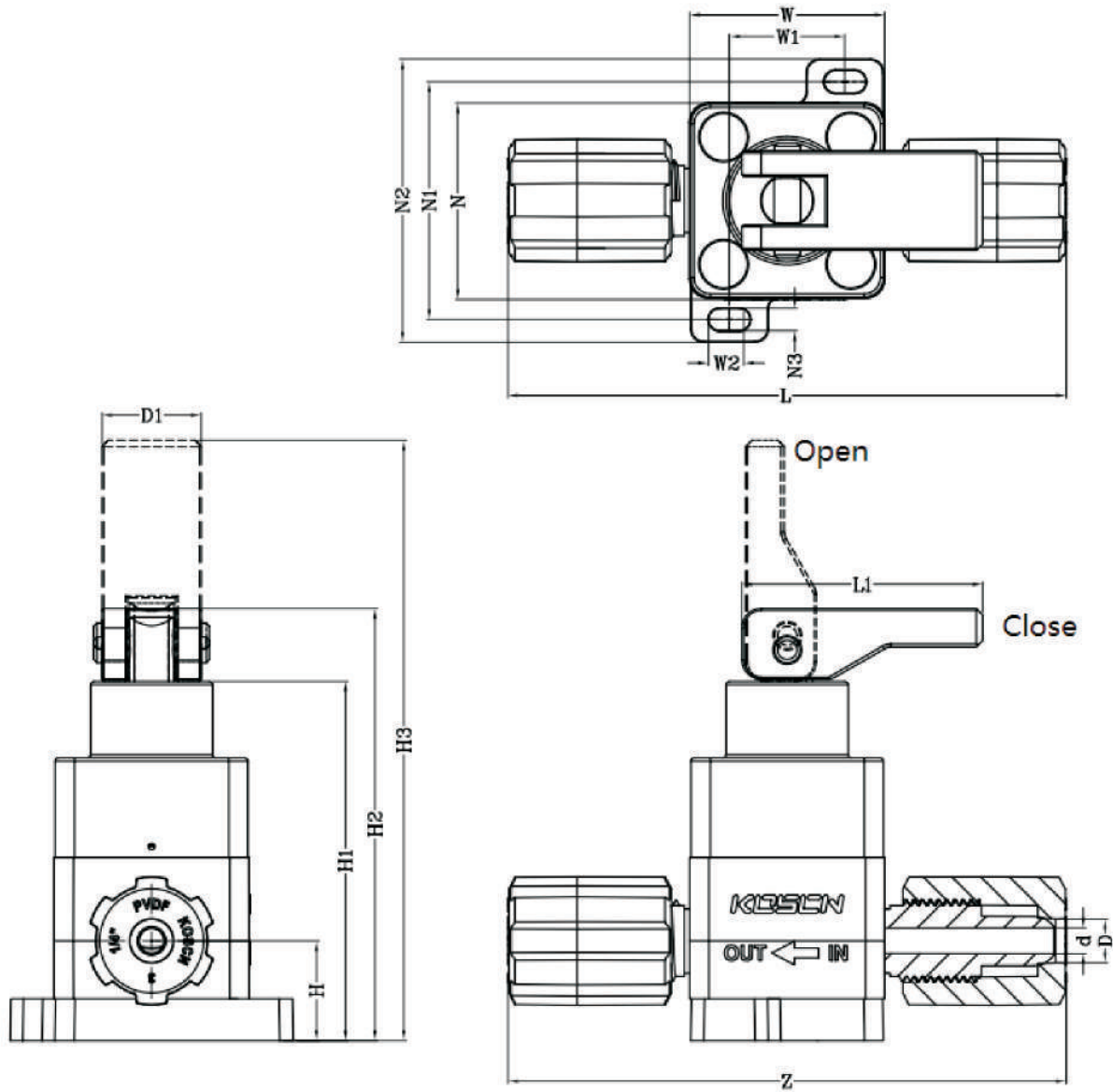
手肘阀 90°

1/8				
1/4MINI				
1/4	311.767.2406	311.767.2406C	311.767.0406	311.767.0406C
3/8	311.767.2410	311.767.2410C	311.767.0410	311.767.0410C
1/2	311.767.2412	311.767.2412C	311.767.0412	311.767.0412C
3/4	311.767.2419	311.767.2419C	311.767.0419	311.767.0419C
1	311.767.2426	311.767.2426C	311.767.0426	311.767.0426C
1-1/4				
1-1/2				

手肘阀 自闭式

1/8				
1/4MINI				
1/4	311.766.2406	311.766.2406C	311.766.0406	311.766.0406C
3/8	311.766.2410	311.766.2410C	311.766.0410	311.766.0410C
1/2	311.766.2412	311.766.2412C	311.766.0412	311.766.0412C
3/4	311.766.2419	311.766.2419C	311.766.0419	311.766.0419C
1	311.766.2426	311.766.2426C	311.766.0426	311.766.0426C
1-1/4				
1-1/2				

Flare LINK 默认配置PVDF NUT，如需 PFA 材质，详见尾页代码表
可提供 5...160°C 高温款产品



Unit: mm

Inch	D	d	D1	H	H2	H3	N	N1	N2	N3	W	W1	W2	L	L1
1/8															
3/16															
1/4	7,7	4,0	15,5	15,5	67	94	30	37,0	44	3,7	30	18,0	6	86,0	37,5
3/8	10,5	6,4	16,0	21,0	100	130	37	49,0	61	6,5	37	21,5	10	94,5	42,5
1/2	13,9	9,5	16,0	21,0	100	130	37	49,0	61	6,5	37	21,5	10	98,5	42,5
3/4	20,5	15,9	19,0	27,0	120	160	47	63,5	82	9,0	47	24,5	14	121,0	55,0
1	29,0	22,2	22,0	35,0	140	190	60	77,5	96	9,0	60	34,5	14	150,0	
1-1/4															
1-1/2															

订购代码

DV气动薄膜阀

	<input type="checkbox"/>	<input type="checkbox"/>	<input type="checkbox"/>	<input type="checkbox"/>	<input type="checkbox"/>	<input type="checkbox"/>	<input type="checkbox"/>	<input type="checkbox"/>	<input type="checkbox"/>	<input type="checkbox"/>
产品系列	3	1	0							
主体材质										
PPN				5						
PVDF				6						
PFA				7						
PTFE				8						
SUS				9						
膜片密封										
PTFE-FPM (不接液)					6					
PTFE					7					
控制方式										
NC						2				
NC (带开度调节)						3				
NO						4				
NO (带开度调节)						5				
DA						6				
DA (带开度调节)						7				
接口形式										
Flare LINK: PVDF NUT							0			
Insert Bushing							2			
Flare LINK: PFA NUT							4			
Spigot Bitt+IR							5			
Thread							9			
接口标准										
ANSI NUT								4		
NPT								8		
R								9		
接口尺寸										
1/8"									03	
1/4"									06	
3/8"									10	
1/2"									12	
3/4"									19	
1"									26	
1-1/4"									31	
1-1/2"									38	
位置反馈										
光电开关 PNP										A0
光电开关 NPN										A1
定位器 PNP										A2
定位器 NPN										A3

订购代码

DV手动薄膜阀

	□	□	□	□	□	□	□	□	□	□
产品系列	3	1	1							
主体材质										
PPN				5						
PVDF				6						
PFA				7						
PTFE				8						
SUS				9						
膜片密封										
PTFE-FPM (不接液)				6						
PTFE				7						
控制类型										
标准手动						0				
手肘自闭						6				
手肘开关						7				
接口形式										
Flare LINK: PVDF NUT							0			
Insert Bushing							2			
Flare LINK: PFA NUT							4			
Spigot Bitt+IR							5			
Thread							9			
接口标准										
ANSI NUT								4		
NPT								8		
R								9		
接口尺寸										
1/8"										03
1/4"										06
3/8"										10
1/2"										12
3/4"										19
1"										26
1-1/4"										31
1-1/2"										38
40A										50
50A										63

**contact**
customer center
www.koscn.cn



KOSCN