

Manual ball valve

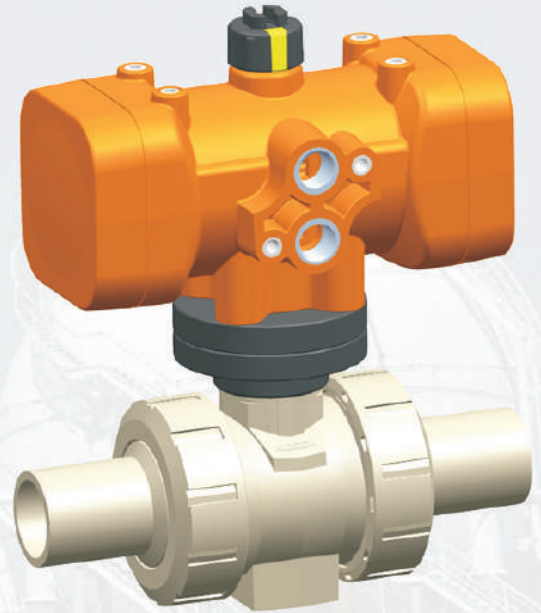
BV 200-Pro

Electric ball valve

BV 201-Pro

Pneumatic ball valve

BV 202-Pro



The BV200 of ball valves in KOSCN Control Valves which is a kind of standard application product, with internationally accepted structural design, which has the advantages of large flow and low torque. It can be modularly expanded into electric and pneumatic control, and realize intelligent application, with functions of switch, regulation, signal feedback, automatic reset, fault alarm and others.

Easy installation and maintenance

- * Ball valve of locking mechanism is optimized for two-way installation
- * The handle has directions to open and close
- * Designed with ISO5211 standard, easy maintenance
- * Valve body and actuator are assembled by standard mounting parts
- * Compact design of full plastic or aluminum actuators to ensure installation space

High safety performance

- * The trapezoidal design of threaded with Union to prevent the union cap from falling off
- * Double-seal design of valve seat, low torque and no internal leakage
- * Various materials are available, which can resist high temperature and corrosion
- * Over-torque design of intelligent actuator to ensure safety application

High Flexibility

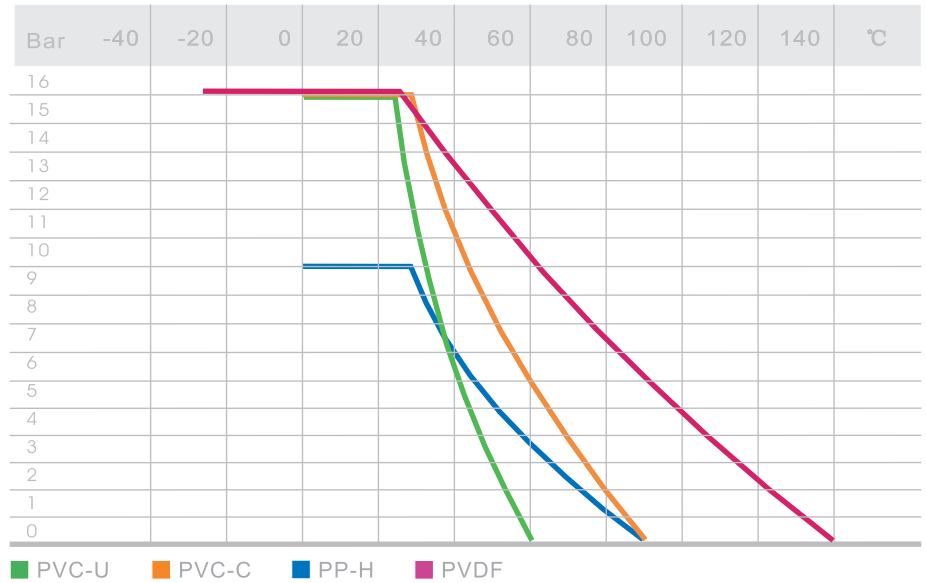
- * True union connection, loose flange connection
- * Valve body has PVC-U, CPVC, PP-H, PVDF
- * Connection type: DIN, ANSI, JIS
- * Pneumatic control: NC, NO, DA
- * Electric intelligent: switch, regulation, bus communication
- * Function options: signal feedback, power-off reset, fault alarm

+ Technical characteristics

Pressure temperature curve

All data based on water for consider -ring 25 years safe life time

Other liquids request to reduce the temperature and pressure accordingly



Flow capacity

All data are for 20°C water with 1 bar pressure difference

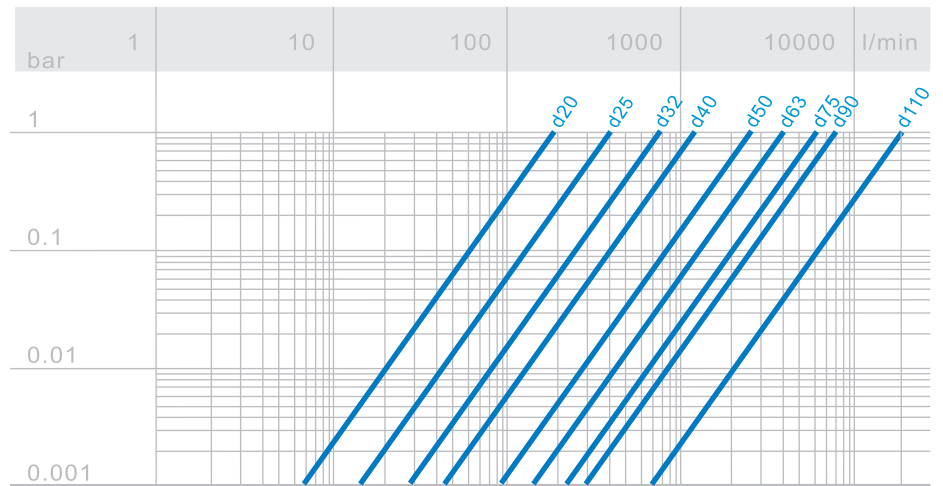
$$C_v = k_v \times 0,07$$

$$F_v = k_v \times 0,0585$$

$$K_v \text{ (l/min)}$$

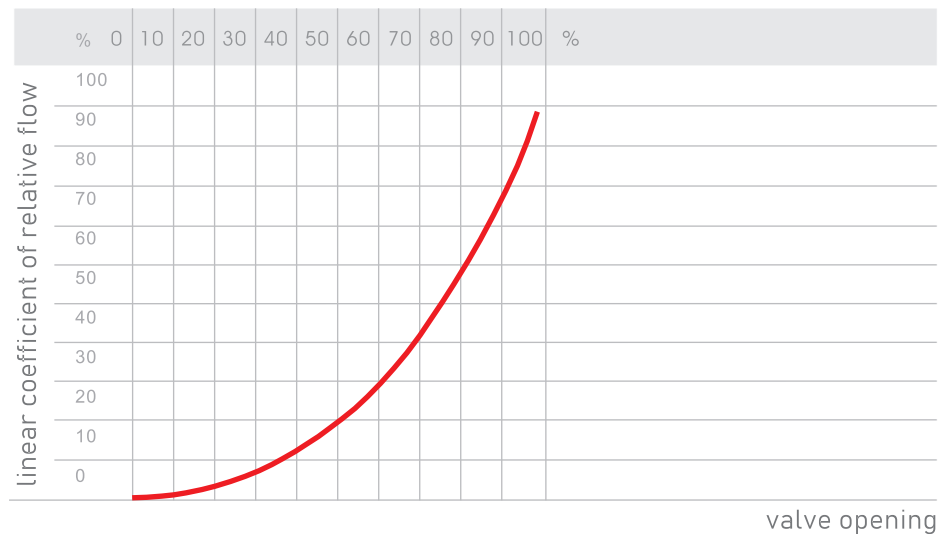
$$C_v \text{ (gal/min) US}$$

$$F_v \text{ (gal/min) GB}$$

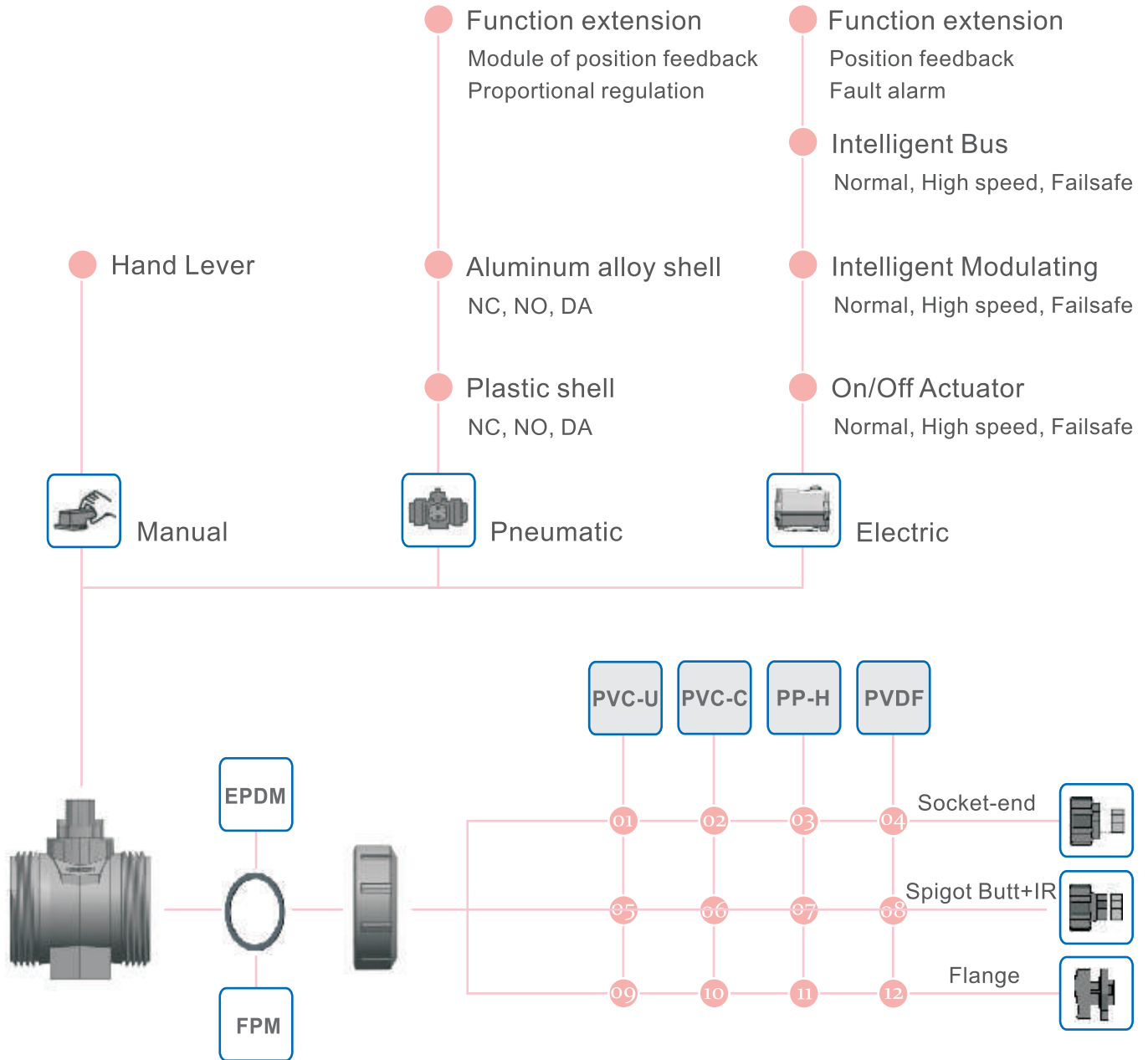


Line chart for relative flow rate

The linear coefficient of relative flow refers to the flow change as a function of valve opening stroke



+ Configuration Pictogram



PVC-U	PVC-C	PP-H	PVDF
01 Socket-end DIN, JIS, ANSI	02 Socket-end DIN, JIS, ANSI	03 Socket-end DIN	04 Socket-end DIN
05 NO	06 NO	07 Spigot Butt+IR DIN	08 Spigot Butt+IR DIN
09 Flange Loose flange connection PP-Steel black DIN, JIS, ANSI	10 Flange Loose flange connection PP-Steel black DIN, JIS, ANSI	11 Flange Loose flange connection PP-Steel black DIN, JIS, ANSI	12 Flange Loose flange connection PP-Steel black DIN, JIS, ANSI

PVC-U Manual ball valves
Union Socket-end
DIN



<i>d</i> (mm)	<i>DN</i> (mm)	<i>PN</i> (bar)	<i>Ball seat</i>	<i>EPDM</i>	<i>FPM</i>
20	15	16	PTFE	240.050.1020	240.060.1020
25	20	16	PTFE	240.050.1025	240.060.1025
32	25	16	PTFE	240.050.1032	240.060.1032
40	32	16	PTFE	240.050.1040	240.060.1040
50	40	16	PTFE	240.050.1050	240.060.1050
63	50	16	PTFE	240.050.1063	240.060.1063
75	65	16	PTFE	240.050.1075	240.060.1075
90	80	16	PTFE	240.050.1090	240.060.1090
110	100	16	PTFE	240.050.1011	240.060.1011

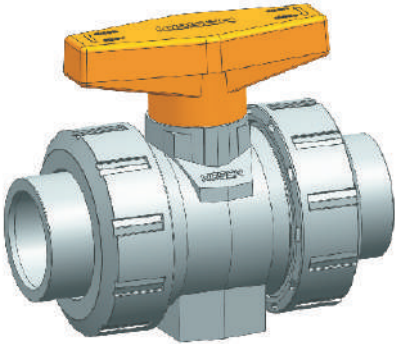
PVC-U Manual ball valves
Union Socket-end
JIS

<i>d</i> (mm)	<i>DN</i> (mm)	<i>PN</i> (bar)	<i>Ball seat</i>	<i>EPDM</i>	<i>FPM</i>
20	15	16	PTFE	240.050.1220	240.060.1220
25	20	16	PTFE	240.050.1225	240.060.1225
32	25	16	PTFE	240.050.1232	240.060.1232
40	32	16	PTFE	240.050.1240	240.060.1240
50	40	16	PTFE	240.050.1250	240.060.1250
63	50	16	PTFE	240.050.1263	240.060.1263
75	65	16	PTFE	240.050.1275	240.060.1275
90	80	16	PTFE	240.050.1290	240.060.1290
110	100	16	PTFE	240.050.1211	240.060.1211

PVC-U Manual ball valves
Union Socket-end
ANSI

<i>d</i> (mm)	<i>DN</i> (mm)	<i>PN</i> (bar)	<i>Ball seat</i>	<i>EPDM</i>	<i>FPM</i>
20	15	16	PTFE	240.050.1420	240.060.1420
25	20	16	PTFE	240.050.1425	240.060.1425
32	25	16	PTFE	240.050.1432	240.060.1432
40	32	16	PTFE	240.050.1440	240.060.1440
50	40	16	PTFE	240.050.1450	240.060.1450
63	50	16	PTFE	240.050.1463	240.060.1463
75	65	16	PTFE	240.050.1475	240.060.1475
90	80	16	PTFE	240.050.1490	240.060.1490
110	100	16	PTFE	240.050.1411	240.060.1411

PVC-C Manual ball valves
Union Socket-end
DIN



<i>d</i> (mm)	<i>DN</i> (mm)	<i>PN</i> (bar)	<i>Ball seat</i>	<i>EPDM</i>	<i>FPM</i>
20	15	16	PTFE	240.250.1020	240.260.1020
25	20	16	PTFE	240.250.1025	240.260.1025
32	25	16	PTFE	240.250.1032	240.260.1032
40	32	16	PTFE	240.250.1040	240.260.1040
50	40	16	PTFE	240.250.1050	240.260.1050
63	50	16	PTFE	240.250.1063	240.260.1063
75	65	16	PTFE	240.250.1075	240.260.1075
90	80	16	PTFE	240.250.1090	240.260.1090
110	100	16	PTFE	240.250.1011	240.260.1011

PVC-C Manual ball valves
Union Socket-end
JIS

<i>d</i> (mm)	<i>DN</i> (mm)	<i>PN</i> (bar)	<i>Ball seat</i>	<i>EPDM</i>	<i>FPM</i>
20	15	16	PTFE	240.250.1220	240.260.1220
25	20	16	PTFE	240.250.1225	240.260.1225
32	25	16	PTFE	240.250.1232	240.260.1232
40	32	16	PTFE	240.250.1240	240.260.1240
50	40	16	PTFE	240.250.1250	240.260.1250
63	50	16	PTFE	240.250.1263	240.260.1263
75	65	16	PTFE	240.250.1275	240.260.1275
90	80	16	PTFE	240.250.1290	240.260.1290
110	100	16	PTFE	240.250.1211	240.260.1211

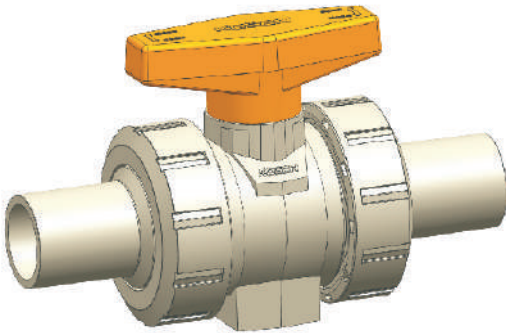
PVC-C Manual ball valves
Union Socket-end
ANSI

<i>d</i> (mm)	<i>DN</i> (mm)	<i>PN</i> (bar)	<i>Ball seat</i>	<i>EPDM</i>	<i>FPM</i>
20	15	16	PTFE	240.250.1420	240.260.1420
25	20	16	PTFE	240.250.1425	240.260.1425
32	25	16	PTFE	240.250.1432	240.260.1432
40	32	16	PTFE	240.250.1440	240.260.1440
50	40	16	PTFE	240.250.1450	240.260.1450
63	50	16	PTFE	240.250.1463	240.260.1463
75	65	16	PTFE	240.250.1475	240.260.1475
90	80	16	PTFE	240.250.1490	240.260.1490
110	100	16	PTFE	240.250.1411	240.260.1411

PP-H Manual ball valves

Union Socket-end

DIN



<i>d</i> (mm)	<i>DN</i> (mm)	<i>PN</i> (bar)	<i>Ball seat</i>	<i>EPDM</i>	<i>FPM</i>
20	15	10	PTFE	240.450.1020	240.460.1020
25	20	10	PTFE	240.450.1025	240.460.1025
32	25	10	PTFE	240.450.1032	240.460.1032
40	32	10	PTFE	240.450.1040	240.460.1040
50	40	10	PTFE	240.450.1050	240.460.1050
63	50	10	PTFE	240.450.1063	240.460.1063
75	65	10	PTFE	240.450.1075	240.460.1075
90	80	10	PTFE	240.450.1090	240.460.1090
110	100	10	PTFE	240.450.1011	240.460.1011

PP-H Manual ball valves

Union Spigot Butt+IR

DIN

<i>d</i> (mm)	<i>DN</i> (mm)	<i>PN</i> (bar)	<i>Ball seat</i>	<i>EPDM</i>	<i>FPM</i>
20	15	10	PTFE	240.450.3020	240.460.3020
25	20	10	PTFE	240.450.3025	240.460.3025
32	25	10	PTFE	240.450.3032	240.460.3032
40	32	10	PTFE	240.450.3040	240.460.3040
50	40	10	PTFE	240.450.3050	240.460.3050
63	50	10	PTFE	240.450.3063	240.460.3063
75	65	10	PTFE	240.450.3075	240.460.3075
90	80	10	PTFE	240.450.3090	240.460.3090
110	100	10	PTFE	240.450.3011	240.460.3011

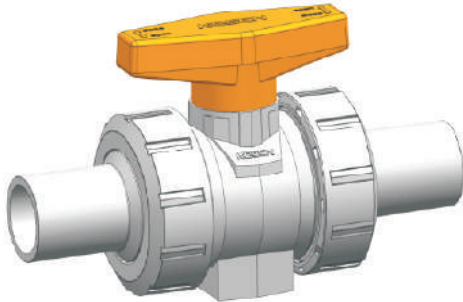
PP-H Manual ball valves

Union Spigot Butt+IR ; Oil-free

DIN

<i>d</i> (mm)	<i>DN</i> (mm)	<i>PN</i> (bar)	<i>Ball seat</i>	<i>EPDM</i>	<i>FPM</i>
20	15	10	PTFE	240.450.3020N	240.460.3020N
25	20	10	PTFE	240.450.3025N	240.460.3025N
32	25	10	PTFE	240.450.3032N	240.460.3032N
40	32	10	PTFE	240.450.3040N	240.460.3040N
50	40	10	PTFE	240.450.3050N	240.460.3050N
63	50	10	PTFE	240.450.3063N	240.460.3063N

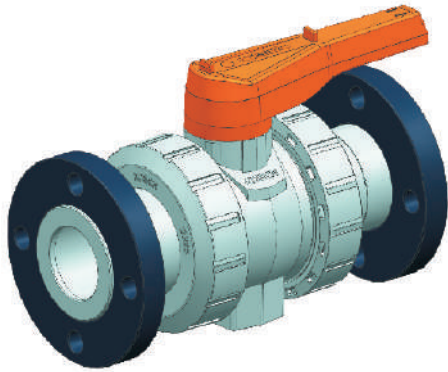
PVDF Manual ball valves
 Union Socket-end
 DIN



<i>d</i> (mm)	<i>DN</i> (mm)	<i>PN</i> (bar)	<i>Ball seat</i>	<i>FPM</i>
20	15	16	PTFE	240.660.1020
25	20	16	PTFE	240.660.1025
32	25	16	PTFE	240.660.1032
40	32	16	PTFE	240.660.1040
50	40	16	PTFE	240.660.1050
63	50	16	PTFE	240.660.1063
75	65	16	PTFE	240.660.1075
90	80	16	PTFE	240.660.1090
110	100	16	PTFE	240.660.1011

PVDF Manual ball valves
 Union Spigot Butt+IR
 DIN

<i>d</i> (mm)	<i>DN</i> (mm)	<i>PN</i> (bar)	<i>Ball seat</i>	<i>FPM</i>	<i>FPM ; Oil-free</i>
20	15	16	PTFE	240.660.3020	240.660.3020N
25	20	16	PTFE	240.660.3025	240.660.3025N
32	25	16	PTFE	240.660.3032	240.660.3032N
40	32	16	PTFE	240.660.3040	240.660.3040N
50	40	16	PTFE	240.660.3050	240.660.3050N
63	50	16	PTFE	240.660.3063	240.660.3063N
75	65	16	PTFE	240.660.3075	
90	80	16	PTFE	240.660.3090	
110	100	16	PTFE	240.660.3011	



PVC-U Manual ball valves

Union Flange

DIN

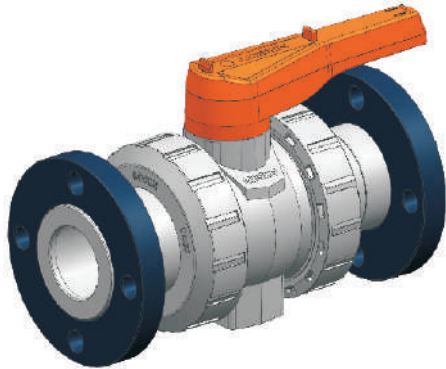
<i>d</i> (mm)	<i>DN</i> (mm)	<i>PN</i> (bar)	<i>Ball seat</i>	<i>EPDM</i>	<i>FPM</i>
20	15	16	PTFE	240.050.7020	240.060.7020
25	20	16	PTFE	240.050.7025	240.060.7025
32	25	16	PTFE	240.050.7032	240.060.7032
40	32	16	PTFE	240.050.7040	240.060.7040
50	40	16	PTFE	240.050.7050	240.060.7050
63	50	16	PTFE	240.050.7063	240.060.7063
75	65	16	PTFE	240.050.7075	240.060.7075
90	80	16	PTFE	240.050.7090	240.060.7090
110	100	16	PTFE	240.050.7011	240.060.7011

PVC-C Manual ball valves

Union Flange

DIN

<i>d</i> (mm)	<i>DN</i> (mm)	<i>PN</i> (bar)	<i>Ball seat</i>	<i>EPDM</i>	<i>FPM</i>
20	15	16	PTFE	240.250.7020	240.260.7020
25	20	16	PTFE	240.250.7025	240.260.7025
32	25	16	PTFE	240.250.7032	240.260.7032
40	32	16	PTFE	240.250.7040	240.260.7040
50	40	16	PTFE	240.250.7050	240.260.7050
63	50	16	PTFE	240.250.7063	240.260.7063
75	65	16	PTFE	240.250.7075	240.260.7075
90	80	16	PTFE	240.250.7090	240.260.7090
110	100	16	PTFE	240.250.7011	240.260.7011



PP-H Manual ball valves

Union Flange

DIN

<i>d</i> (mm)	<i>DN</i> (mm)	<i>PN</i> (bar)	<i>Ball seat</i>	<i>EPDM</i>	<i>FPM</i>
20	15	10	PTFE	240.450.7020	240.460.7020
25	20	10	PTFE	240.450.7025	240.460.7025
32	25	10	PTFE	240.450.7032	240.460.7032
40	32	10	PTFE	240.450.7040	240.460.7040
50	40	10	PTFE	240.450.7050	240.460.7050
63	50	10	PTFE	240.450.7063	240.460.7063
75	65	10	PTFE	240.450.7075	240.460.7075
90	80	10	PTFE	240.450.7090	240.460.7090
110	100	10	PTFE	240.450.7011	240.460.7011

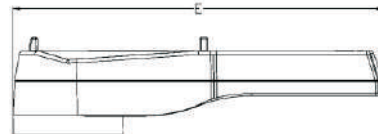
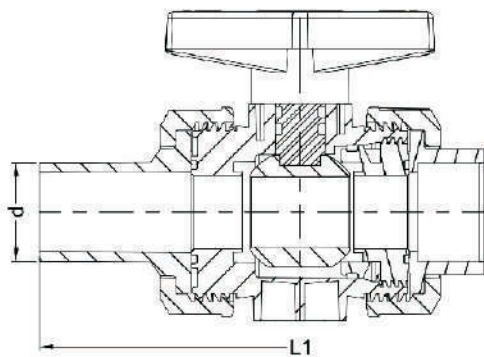
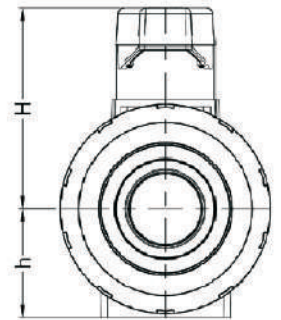
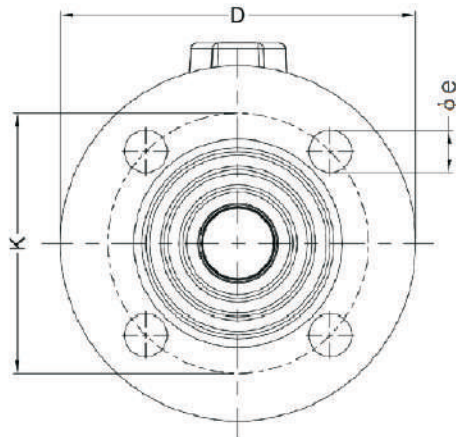
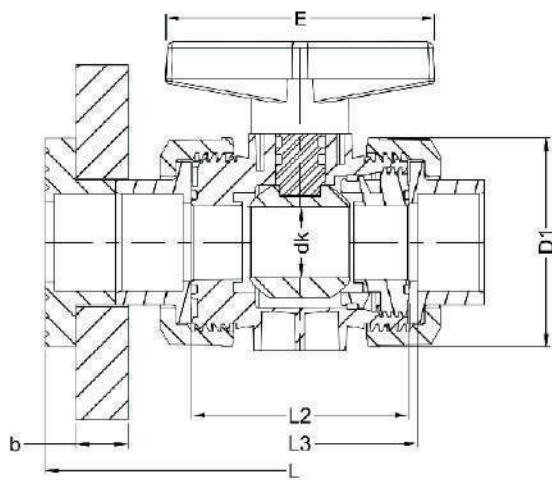
PVDF Manual ball valves

Union Flange

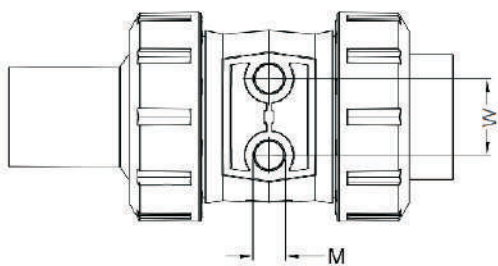
DIN

<i>d</i> (mm)	<i>DN</i> (mm)	<i>PN</i> (bar)	<i>Ball seat</i>	<i>FPM</i>
20	15	16	PTFE	240.660.7020
25	20	16	PTFE	240.660.7025
32	25	16	PTFE	240.660.7032
40	32	16	PTFE	240.660.7040
50	40	16	PTFE	240.660.7050
63	50	16	PTFE	240.660.7063
75	65	16	PTFE	240.660.7075
90	80	16	PTFE	240.660.7090
110	100	16	PTFE	240.660.7011

Size data

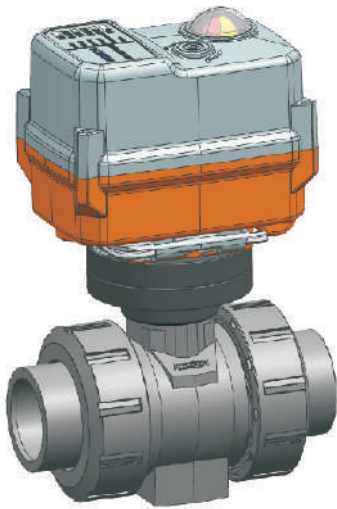


DN65-100



<i>d</i>	<i>D</i>	<i>b</i>	<i>k-DIN</i>	<i>K-JIS</i>	<i>K-ANSI</i>	<i>φe</i>
20	95	12	65	70	60,45	14`16
25	105	14	75	75	69,85	14`16
32	115	16	85	90	79,25	14`19
40	140	18	100	100	88,90	16`19
50	150	18	110	105	98,55	16`19
63	165	18	125	120	120,65	18`19
75	174	20	145	140	139,50	18`19
90	189	20	160	150	152,40	18`19
110	214	22	180	175	190,50	18`19

<i>d</i>	<i>DN</i>	<i>D1</i>	<i>Dk</i>	<i>H</i>	<i>h</i>	<i>L</i>	<i>L1</i>	<i>L2</i>	<i>L3</i>	<i>E</i>	<i>W</i>	<i>M</i>
20	15	50	13	52	27,0	150	146	56,5	63	75	25	M6
25	20	58	18	60	30,5	170	162	66,0	72	88	25	M6
32	25	68	23	66	35,5	180	171	71,0	77	88	25	M6
40	32	84	30	80	43,5	210	194	85,5	90	110	45	M8
50	40	97	38	85	50,5	230	204	90,0	96	110	45	M8
63	50	123	48	107	64,0	278	224	101,5	108	135	45	M8
75	65	168	63	149	85,0	340	265	135,0	143	250	70	M8
90	80											
110	100											



BV201 electric ball valve

Valve Body material of BV201 and the all basis data are basically the same as BV200 manual valve

Electric valves are coded extensions based on manual valves

Example: 240.050.1020 → 241.050.1020.XXX

Standard

KOSCN-02N Normal On/Off Actuator

KOSCN-02T Intelligent Modulating Actuator

KOSCN-02B Intelligent Bus Actuator

Optional

KOSCN-02C Intelligent On/Off Actuator

KOSCN-02R Intelligent Wireless Actuator

KOSCN-02D Intelligent Timer Actuator

Please consult KOSCN or agency for non-standard functions and parameters

TYPE	FUNCTION	V	d20	d25	d32	d40	d50	d63	d75	d90	d110
On/Off	Normal	DC 24V	...010	...010	...010	...010	...010	...010	...010	...010	...010
		AC 230V	...011	...011	...011	...011	...011	...011	...011	...011	...011
	High speed	DC 24V	...020	...020	...020	...020	...020	...020	...020	...020	...020
	Failsafe	DC 24V	...030	...030	...030	...030	...030	...030	...030	...030	...030
AC 230V		...031	...031	...031	...031	...031	...031	...031	...031	...031	...031
Intelligent Modulating	Normal	DC 24V	...110	...110	...110	...110	...110	...110	...110	...110	...110
		AC 95-265V	...111	...111	...111	...111	...111	...111	...111	...111	...111
	High speed	DC 24V	...120	...120	...120	...120	...120	...120	...120	...120	...120
	Failsafe	DC 24V	...130	...130	...130	...130	...130	...130	...130	...130	...130
AC 95-265V		...131	...131	...131	...131	...131	...131	...131	...131	...131	...131
Intelligent Bus	Normal	DC 24V	...210	...210	...210	...210	...210	...210	...210	...210	...210
		AC 95-265V	...211	...211	...211	...211	...211	...211	...211	...211	...211
	High speed	DC24V	...220	...220	...220	...220	...220	...220	...220	...220	...220
	Failsafe	DC 24V	...230	...230	...230	...230	...230	...230	...230	...230	...230
AC 95-265V		...231	...231	...231	...231	...231	...231	...231	...231	...231	...231

Overview of optional functions of electric actuator

KOSCN-02N Normal On/Off Actuator

- * Matched valves: 2-way,3-way ball valve and butterfly valve
- * Rated voltage: DC12V,DC24V,AC24V/110V/230V
- * Control feedback mode: B3S,B3P,B3R,BD3S
- * High performance brushless motor,overheat/overload protection
- * It can be used up to 20,000 times
- * For AC series,it is forbidden to use two or more actuators in parallel

KOSCN-02R Intelligent Wireless Actuator

- * Matched valves: 2-way,3-way ball valve and butterfly valve
- * Rated voltage: AC/DC95V-265V, AC/DC24V
- * Communication Mode: RF433/868/915MHZ,FSK,LORA,RF Ocean (single control)
- * Communication protocol: Compatible Modbus
- * Wireless Module: SX1278/SX1276/A7108
- * Communication distance: The maximum is 3Km
- * Achievable mode: 2 way/3 way
- * High performance brushless motor,overload or overheated protection of internal motor
- * It can be used up to 20,000 times

KOSCN-02D Intelligent Timer Actuator

- * Matched valves: 2-way,3-way ball valve and butterfly valve
- * Rated voltage: AC/DC95V-265V, AC/DC24V
- * Timer mode: pulse mode , time mode
- * Loop mode : loop by days , loop by weeks
- * Adopted high-performance brushless motor, Overload protection of internal motor
- * It can be used up to 20,000 times.

KOSCN-02C Intelligent On/Off Actuator

- * Matched valves: 2-way, 3-way ball valve and butterfly valve
- * Rated voltage: AC/DC95V-265V, AC/DC24V
- * Control feedback mode: BD3J,B3J,B33J,B43J(feedback synchronous with arrival)
- * Alarm output: A(Relay contact feedback)
- * Achievable mode: 2 way /3 way
- * High performance brushless motor,overload or overheated protection of internal motor
- * It can be used up to 20,000 times
- * Two or more actuators can be used in parallel

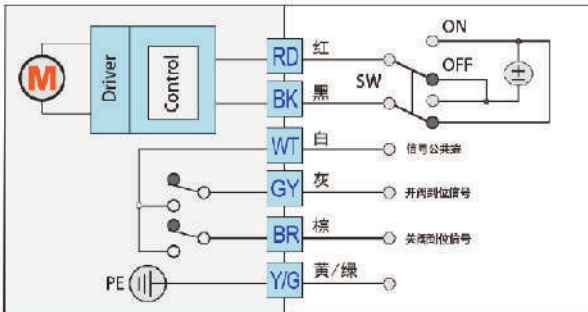
KOSCN-02T Intelligent Modulating Actuator

- * Matched valves: 2-way,3-way ball valve and butterfly valve
- * Rated voltage: AC/DC95V-265V, AC/DC24V
- * Control signal: 4-20mA,0-20mA,0-10V,0-5V,1-5V,2-10V
- * Position feedback: 4-20mA
- * Position accuracy: 1%
- * Alarm output: A(Relay contact feedback)
- * High performance brushless motor,overload or overheated protection of internal motor
- * It can be used up to 20,000 times

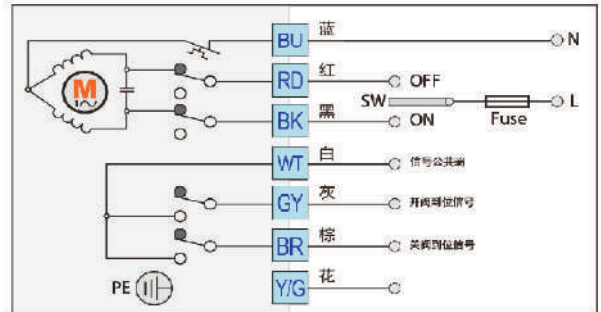
KOSCN-02B Intelligent Bus Actuator

- * Matched valves: 2-way,3-way ball valve and butterfly valve
- * Rated voltage:AC/DC95V-265V, AC/DC24V
- * Control feedback mode: RS485(Modbus), CANBus 2.0B/Mbus(customized)
- * Achievable mode: 2 way /3 way
- * High performance brushless motor,overload or overheated protection of internal motor
- * It can be used up to 20,000 times
- * Tow or more actuators can be used in parallel (RS485 could parallel maximum 32/64/256 actuators, while CANBus parallels 110 actuators)

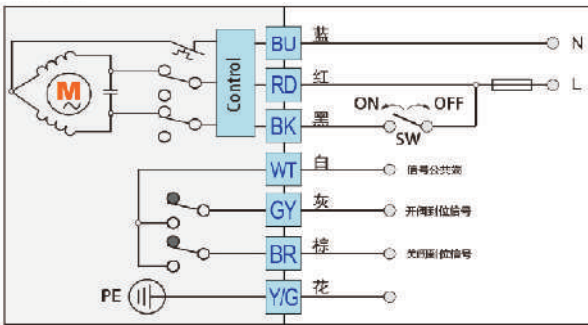
Normal on/off model-wiring diagrams
B3S



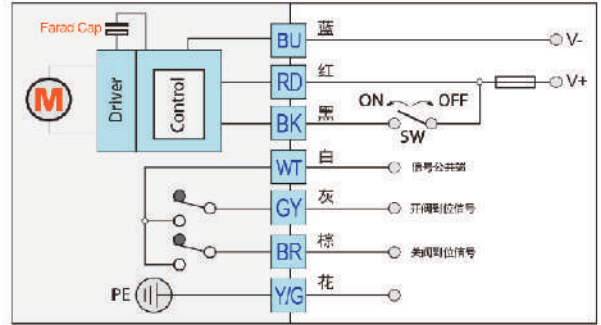
Normal on/off model-wiring diagrams
B3S- (DC series)



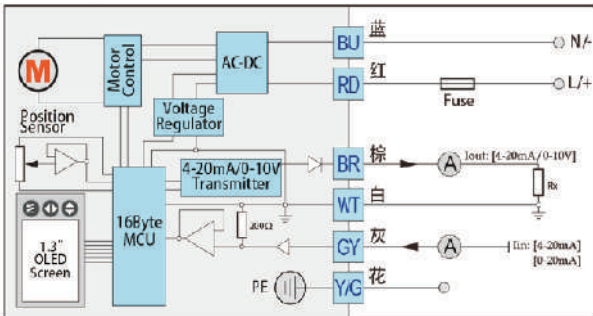
Normal on/off model-wiring diagrams
BD3S



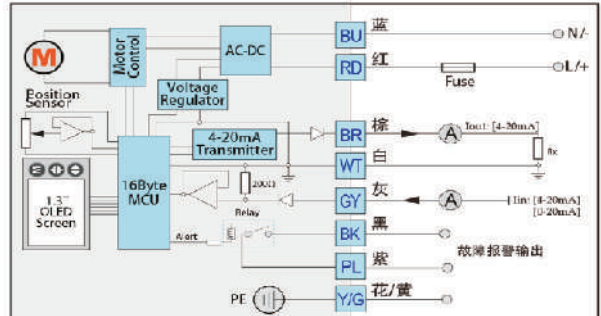
Normal on/off model-wiring diagrams
KT32S/BD3S (DC series)



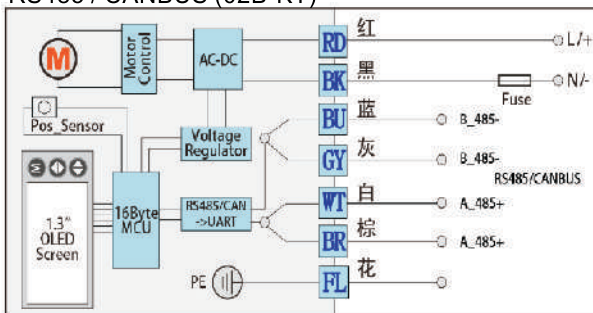
Intelligent modulating model-wiring diagrams
4-20mA / 0-20mA



Intelligent modulating model-wiring diagrams
4-20mA-A / 0-20mA-A (Alarm)



Intelligent Bus model -Wiring Diagram
RS485 / CANBUS (02B-KT)

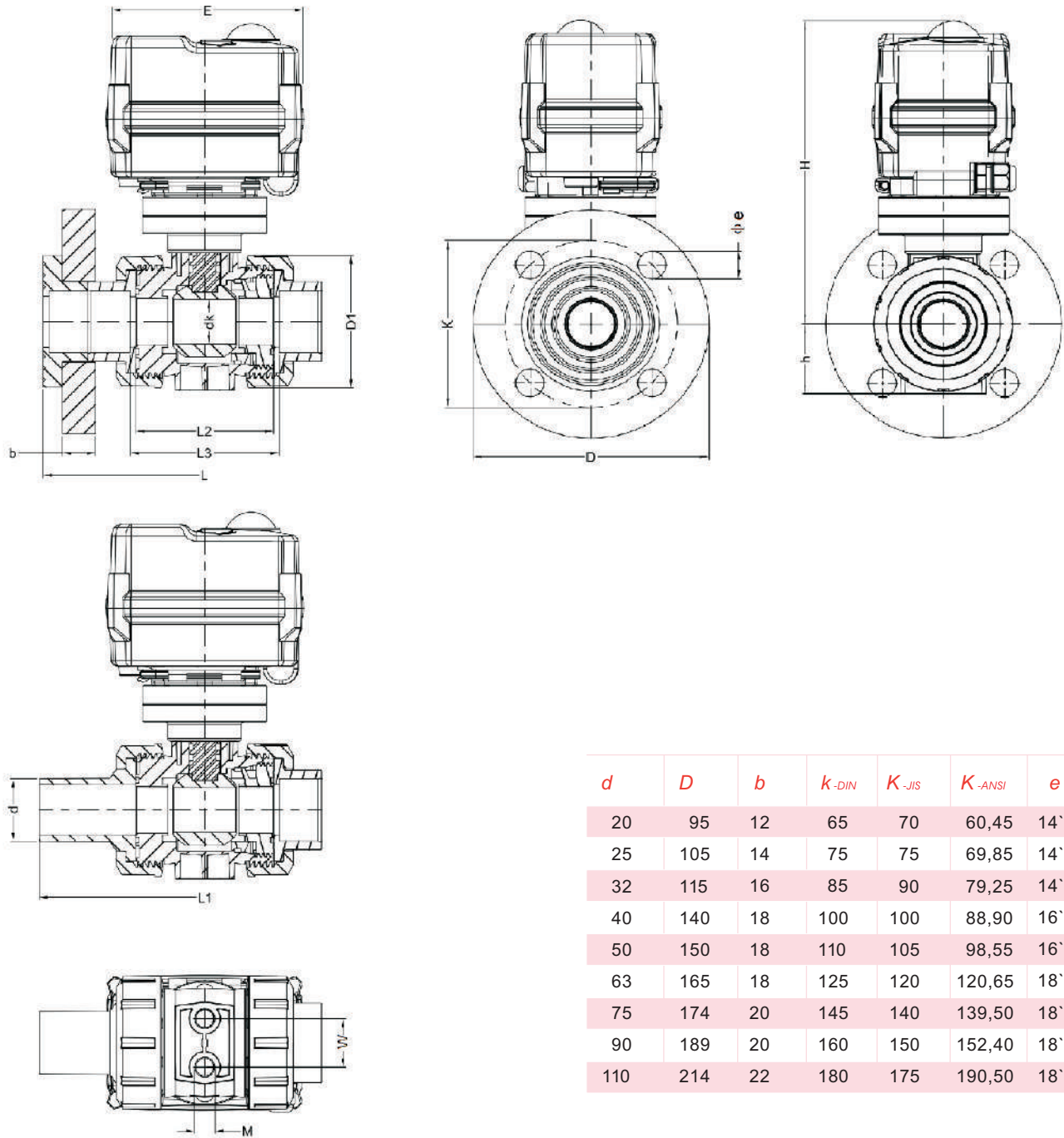


Interface

- Intelligent modulating model
- Intelligent Bus model interface

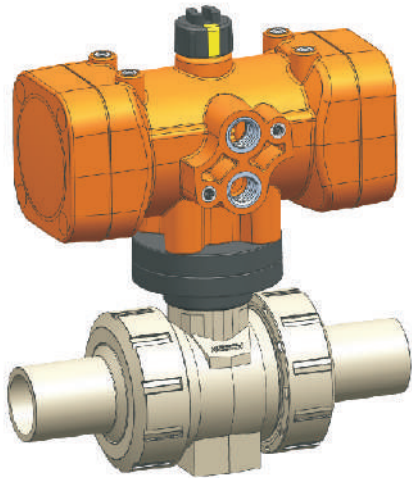


Size data



<i>d</i>	<i>D</i>	<i>b</i>	<i>k-DIN</i>	<i>K-JIS</i>	<i>K-ANSI</i>	<i>e</i>
20	95	12	65	70	60,45	14`16
25	105	14	75	75	69,85	14`16
32	115	16	85	90	79,25	14`19
40	140	18	100	100	88,90	16`19
50	150	18	110	105	98,55	16`19
63	165	18	125	120	120,65	18`19
75	174	20	145	140	139,50	18`19
90	189	20	160	150	152,40	18`19
110	214	22	180	175	190,50	18`19

<i>d</i>	<i>DN</i>	<i>D1</i>	<i>Dk</i>	<i>H</i>	<i>h</i>	<i>L</i>	<i>L1</i>	<i>L2</i>	<i>L3</i>	<i>E</i>	<i>W</i>	<i>M</i>
20	15	50	13	136	27,0	150	146	56,5	63	102	25	M6
25	20	58	18	149	30,5	170	162	66,0	72	102	25	M6
32	25	68	23	154	35,5	180	171	71,0	77	102	25	M6
40	32	84	30	168	43,5	210	194	85,5	90	102	45	M8
50	40	97	38	173	50,5	230	204	90,0	96	102	45	M8
63	50	123	48	191	64,0	278	224	101,5	108	102	45	M8
75	65	168	63	267	85,0	340	265	135,0	143	132	70	M8
90	80											
110	100											



BV202 Pneumatic ball valve

Valve Body material of BV202 and the all basis data are basically the same as BV200 manual valve

Pneumatic valves are coded extensions based on manual valves

Example: 240.050.1020 → 242.050.1020.XXX

Working pressure:

Input pressure of full plastic actuator: Pmax = 7 bar

Input pressure of aluminum body actuator: Pmax = 8 bar

Mechanical limit:

Full plastic actuator is standard, Aluminum body actuators are optional, please contact with KOSCN or agency for selection and ordering

Position feedback:

All actuators can be extended with position feedback modules,

Feedback signal voltage : AC/DC 12-265V

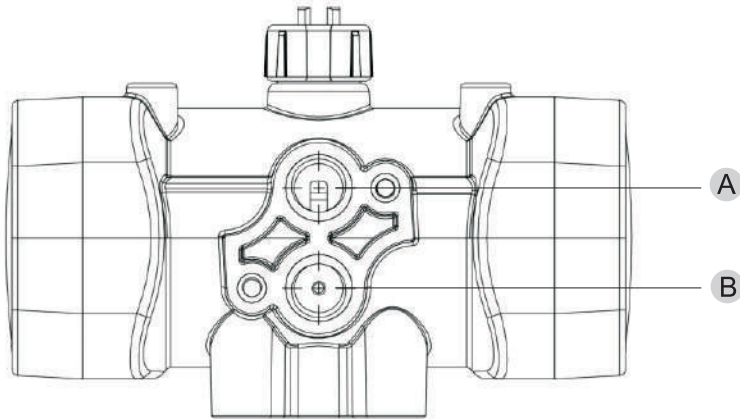
Mounting brackets:

Full-plastic closure with sealing of installation connector

ISO 5211 connection standard

Material	Control	Type	d20	d25	d32	d40	d50	d63	d75	d90	d110
Full plastic	NC	Standard	...010	...010	...010	...010	...010	...010	...010	...010	...010
		Micro switch
	NO	Standard	...020	...020	...020	...020	...020	...020	...020	...020	...020
		Micro switch
DA	Standard	...030	...030	...030	...030	...030	...030	...030	...030	...030	
	Micro switch	
Aluminum	NC	Standard	...110	...110	...110	...110	...110	...110	...110	...110	...110
		Micro switch
	NO	Standard	...120	...120	...120	...120	...120	...120	...120	...120	...120
		Micro switch
DA	Standard	...130	...130	...130	...130	...130	...130	...130	...130	...130	
	Micro switch	

Driving work instructions



Air source interface size: A air inlet G1/4 or 1/8 threaded
B air inlet G1/4 Or 1/8 threaded

NC: control pressure connects air inlet B, valves open

NO: control pressure connects air inlet B, valves close

DA: control pressure connects air inlet A, valves close; control pressure connects air inlet B, valves open

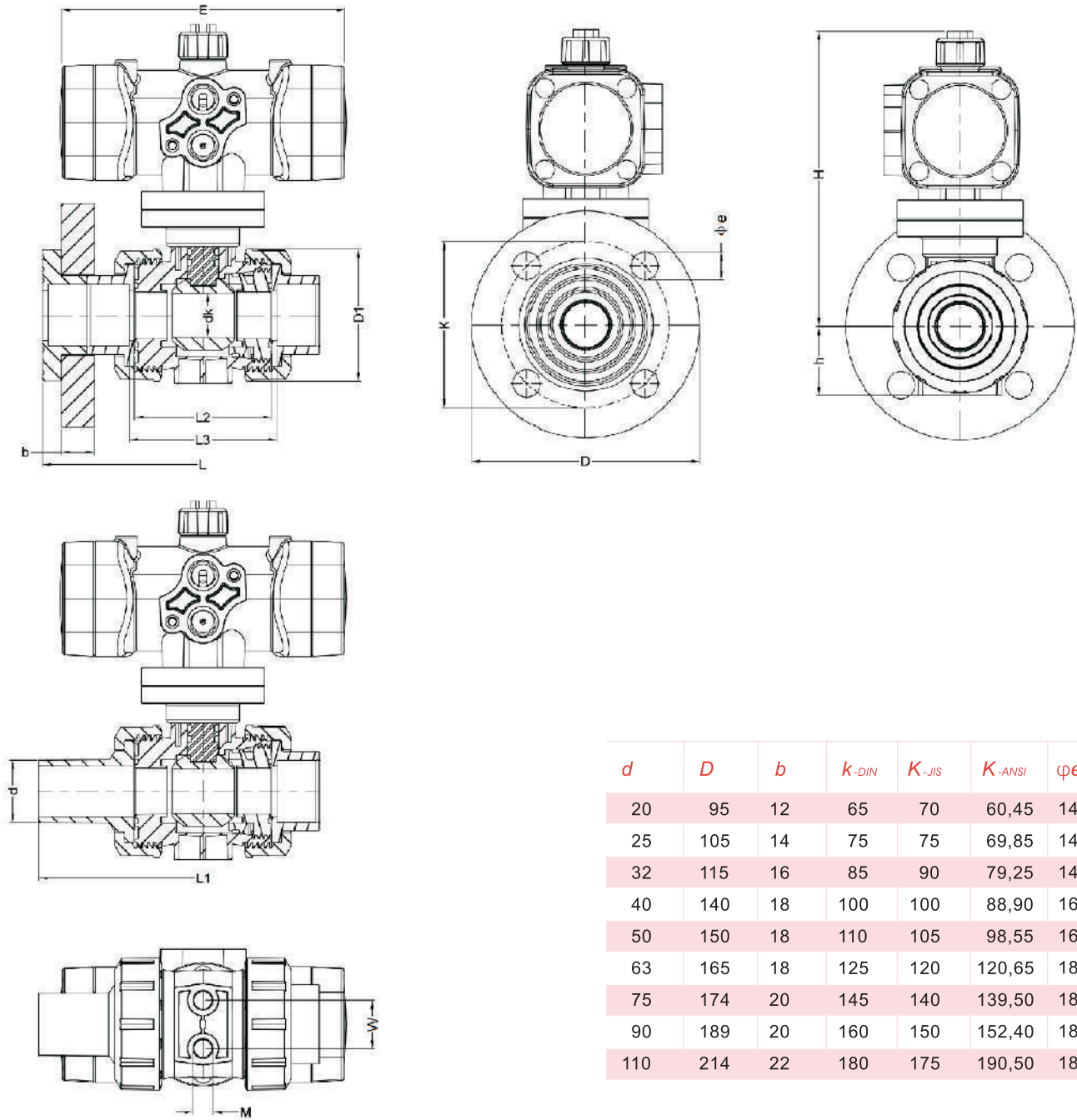
NC/NO pilot-operated valve: with 3/2 solenoid valve

DA pilot-operated valve: with 5/2 solenoid valve

Note:

The driving pressure of all actuators cannot be higher than the upper limit to ensure safe use and achieve optimal functions. If the control pressure exceeds the limits, a malfunction may occur. In this case, a new actuator configuration is required.

Size data



<i>d</i>	<i>D</i>	<i>b</i>	<i>k-DIN</i>	<i>K-JIS</i>	<i>K-ANSI</i>	<i>φe</i>
20	95	12	65	70	60,45	14`16
25	105	14	75	75	69,85	14`16
32	115	16	85	90	79,25	14`19
40	140	18	100	100	88,90	16`19
50	150	18	110	105	98,55	16`19
63	165	18	125	120	120,65	18`19
75	174	20	145	140	139,50	18`19
90	189	20	160	150	152,40	18`19
110	214	22	180	175	190,50	18`19

<i>d</i>	<i>DN</i>	<i>D1</i>	<i>Dk</i>	<i>H-SR</i>	<i>H-DA</i>	<i>h</i>	<i>L</i>	<i>L1</i>	<i>L2</i>	<i>L3</i>	<i>E-SR</i>	<i>E-DA</i>	<i>W</i>	<i>M</i>
20	15	50	13	133	133	27,0	150	146	56,5	63	149	149	25	M6
25	20	58	18	146	146	30,5	170	162	66,0	72	149	149	25	M6
32	25	68	23	163	151	35,5	180	171	71,0	77	152	149	25	M6
40	32	84	30	177	177	43,5	210	194	85,5	90	152	152	45	M8
50	40	97	38	196	182	50,5	230	204	90,0	96	178	152	45	M8
63	50	123	48	228	215	64,0	278	224	101,5	108	194	178	45	M8
75	65	168	63	277	275	85,0	340	265	135,0	143	211	194	70	M8
90	80													
110	100													

Plastic limit switch MA620



- Easy installation and maintenance, cylinder top base directly installed.
- Unlimited caliber.
- 0~90° or 0~180° stroke, adjustable.
- Using imported mechanical micro switch, long life, high reliability.
- Standard configuration of silver alloy contacts, other silver and gold materials can be selected.
- Optional reply and proximity switches.
- It has explosion-proof configuration

Power voltage	24V/DC , Single loop current 3A*2 230V/DC , Single loop current 5A*2
Power consumption	24V/DC , 10W*2 230V/DC , 15W*2
Electrical connections	M12 Waterproof Conn
The input signal	Switch quantity
Protection grade	IP 67
Shell material	Steel , PC
Environment temperature	-20℃ ~ +80℃
Life span	≥ 300,000

Plastic limit switch MA622



- Easy installation and maintenance, cylinder top base directly installed.
- Unlimited caliber.
- 0~90° or 0~180° stroke, adjustable.
- Using imported mechanical micro switch, long life, high reliability.
- The plastic structure has excellent corrosion resistance.
- Optional reply and proximity switches.

Power voltage	24V/DC , Single loop current 3A*2 230V/DC , Single loop current 5A*2
Power consumption	24V/DC , 10W*2 230V/DC , 15W*2
Electrical connections	M12 Waterproof Conn
The input signal	Switch quantity
Protection grade	IP 67
Shell material	PA6 , PC
Environment temperature	-20℃ ~ +80℃
Life span	≥ 100,000

