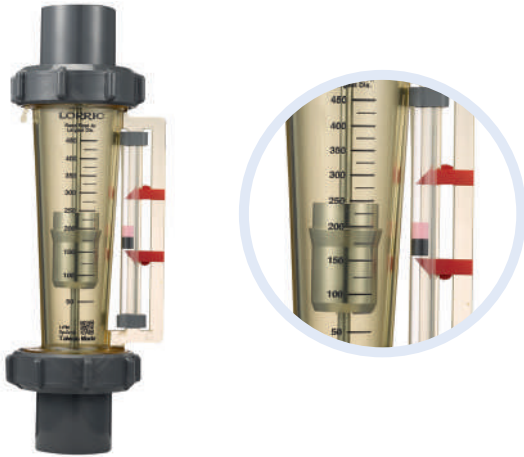


F45Magnetic - Magnetic Duel-Indicator pipe size 1-1/2" **F45M**



Product Features · Use

- Ideal for dark color and or solutions that easily precipitate.
- Patented dual-indicator design for easy and clear flow range management.
- Laser engraved degree scales provide better readability and longer life.
- Available in customizable units, temperature, and molecular weight.
- Each batch of flow meters will be calibrated before delivery for our best precision guarantee.

Standard Specs

- Model: F45M PSU, F45MH PSU
- Adaptor Size: 1-1/2", 2"
- Applicable Fluid: Liquid (Dark liquid)
- Flow direction: From the bottom up
- Engraved degree scales: Laser engraved degree scales
- Fluid Temperature: 50°C (Standard)
- Working Pressure: 6.0 kg/cm²
- Full Scale Accuracy: ±5% F.S.
- Product Material

Body - PSU
 Float - Stainless 316, Hastelloy C
 Guide Rod - Stainless 316, Ti, Hastelloy C
 Guide Rod Bottom - PP
 Adaptor - Welding Type: UPVC
 Male, Female Thread: UPVC, PP
 Butt-fusion Adaptor: PP
 Union Nuts - UPVC
 O-ring - EPDM, VITON
 Iron pillar (Flange type only) - Stainless 316, 304, 420

- Adaptor Material
- Welding Type, Male Thread, Female Thread,
 Butt-fusion Adaptor, Flange

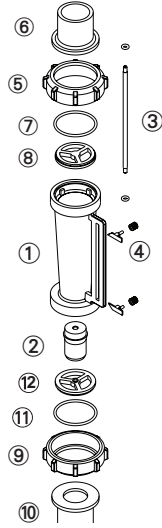
※ BSPT is standard thread type. NPT is available for custom order.

Scale Range

Product Code	Scale Range*	Standard gravity
F45M PSU - 300LPM	50-300 L/min	1.0
F45M PSU - 450LPM	50-450 L/min	1.0
F45M PSU - 600LPM	100-600 L/min	1.0

※ Liquid flow meters are calibrated for 20°C water.

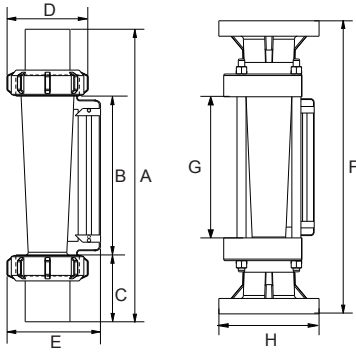
Parts Material



No.	Series	Material (Main material)*			
		1	2	3	4
1	Body	PSU	PSU	PSU	PSU
2	Float	S316	S316	S316	S316
3	Guide Rod	S316	S316	S316	S316
4	Pointer	ABS	ABS	ABS	ABS
5,9	Union Nuts	UPVC	UPVC	UPVC	UPVC
6,10	Adaptor	UPVC	UPVC	Flange UPVC	Male / Female Thread PSU
7,11	O-ring	VITON	EPDM	VITON	VITON
8,12	Guide Rod Bottom	PP	PP	PP	PP

* Material for different parts is optional for each flowmeter.

Parts Size



Adaptor Spec	A / F*	B / G*	C / H*	D	E
1-1/2"Female Thread	346	187	79.5	109	127
1-1/2"CNS	347	187	80	109	127
1-1/2"ASTM	347	187	80	109	127
1-1/2"JIS	345	187	79	109	127
2"Male Thread	345	187	79	109	127
2"Female Thread	345	187	79	109	127
2"CNS	357	187	85	109	127
2"ASTM	345	187	79	109	127
2"JIS	357	187	85	109	127
PP OD72.7 ID60.1	305	187	59	109	127
PP OD60 ID48.9	345	187	79	109	127
Flange 2"	390	187	155	-	-

* Size of flange type

Unit: mm

Specification inquiry (F45M PSU)

* Contact us with below information.

- Fluid - Water Other _____
- Specific gravity - Standard-1.0 Other _____
- Pressure - Standard-6.0kg/cm² Other ___ kg/cm²
- Temperature - Normal temperature Other ___ °C
- Scale Range - _____ L/min ~ _____ L/min
- Adaptor Size - 1"-1/2" 2"
Other _____

- Adaptor Material
 - Welding Type Male Thread
 - Female Thread Butt-fusion Adaptor
 - Panel Elbow Thread Other _____
- Material
 - 1 UPVC 2 EPDM O-ring
 - 3 UPVC Flange
 - 4 PSU Male / Female Thread
 - 5 Other

Specs besides above listed information _____