

## F45Series - 346mm large size pipe size 1-1/2"-2" **F45 series**



### Product Features · Use

- The flange flow meter is equipped with four stainless steel poles on four sides and uses flange adaptor. This flow meter is robust, highly secure and ideal for high pressure conditions. This flow meter's lifetime is usually longer than ordinary flow meters.
- Patented dual-indicator design for easy and clear flow range management.
- Laser engraved degree scales provide better readability and longer life.
- Available in customizable units, temperature, and molecular weight.
- Each batch of flow meters will be calibrated before delivery for our best precision guarantee.
- Hastelloy float is available for corrosive environment.

### Standard Specs

- Model: F45PSU, F45H PSU
- Adaptor Size: 1-1/2", 2"
- Applicable Fluid: Liquid
- Flow direction: From the bottom up
- Engraved degree scales: Laser engraved degree scales
- Fluid Temperature: 50°C (Standard: UPVC adaptor)
- Working Pressure: 6.0 kg/cm<sup>2</sup>
- Full Scale Accuracy: ±5% F.S.
- Product Material

Body - PSU

Float - Stainless 316, Hastelloy C

Guide Rod - Stainless 316, Ti, Hastelloy C

Guide Rod Bottom - PP

Adaptor - Welding Type: UPVC

Male, Female Thread: UPVC, PP

Butt-fusion Adaptor: PP

Flange: UPVC

Union Nuts - UPVC

O-ring - EPDM, VITON

Iron pillar (Flange type only) - Stainless 316, 304, 420

- Adaptor Material

Welding Type, Male Thread, Female Thread,

Butt-fusion Adaptor, Flange

※ BSPT is standard thread type. NPT is available for custom order.

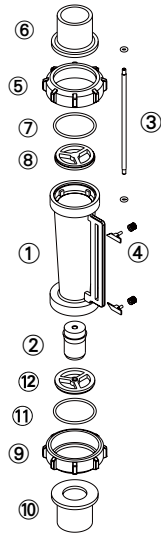
### Scale Range

Product Code	Scale Range*	Standard gravity
F45 (PSU,H PSU) - 100LPM	10-100 L/min	1.0
F45 (PSU,H PSU) - 150LPM	15-150 L/min	1.0
F45 (PSU,H PSU) - 200LPM	20-200 L/min	1.0
F45 (PSU,H PSU) - 250LPM	25-250 L/min	1.0
F45 (PSU,H PSU) - 300LPM	30-300 L/min	1.0
F45 (PSU,H PSU) - 450LPM	50-450 L/min	1.0
F45 (PSU,H PSU) - 600LPM	100-600 L/min	1.0

※ Liquid flow meters are calibrated for 20°C water.

※ F45 PC product has ceased production.

### Parts Material



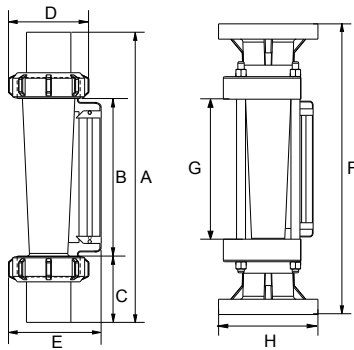
No.	Series	Material (Main material) <sup>※ 1</sup>		
		1	2	3
1	Body	PSU	PSU	PSU
2	Float	S316	Hastelloy C	Hastelloy C
3	Guide Rod	S316	Ti	Hastelloy C
4	Pointer	ABS	ABS	ABS
5,9	Union Nuts	UPVC	UPVC	UPVC
6,10	Adaptor	UPVC	UPVC	PSU <sup>※ 2</sup>
7,11	O-ring	VITON	VITON	VITON
8,12	Guide Rod Bottom	PP	PP	PP

※ 1. Material for different parts is optional for each flowmeter.

※ 2. For thread adaptor only.

※ 3. F45 PC product has ceased production.

### Parts Size



Adaptor Material	A / F <sup>※</sup>	B / G <sup>※</sup>	C / H <sup>※</sup>	D	E
1"-1/2" Male Thread	346	187	79.5	109	127
1"-1/2" JIS	345	187	79	109	127
2" Male Thread	345	187	79	109	127
2" Female Thread	345	187	79	109	127
2" JIS	357	187	85	109	127
PP OD72.7 ID60.2	305	187	59	109	127
PP OD60 ID48.10	345	187	79	109	127
2" Flange	390	187	155 <sup>※</sup>	-	-

※ Size of flange type

Unit: mm

### Specification inquiry (F45)

※ Contact us with below information.

- Fluid -  Water  Other \_\_\_\_\_
  - Specific gravity -  Standard-1.0  Other \_\_\_\_\_
  - Pressure -  Standard-6.0kg/cm<sup>2</sup>  Other \_\_\_ kg/cm<sup>2</sup>
  - Temperature -  Normal temperature  Other \_\_\_ °C
  - Scale Range - \_\_\_\_\_ L/min ~ \_\_\_\_\_ L/min
  - Adaptor Size -  1"-1/2"  2"  
 Other \_\_\_\_\_
  - Adaptor Material
    - Welding Type  Male Thread
    - Female Thread  Butt-fusion Adaptor
    - Panel Elbow Thread  Other \_\_\_\_\_
  - Material
    - 1 Body PSU
    - 2 Body PSU Hastelloy C Float, Ti Guide Rod
    - 3 Body PSU Hastelloy C Float & Guide Rod
    - 4 Other
- Specs besides above listed information \_\_\_\_\_